



# USER MANUAL





<https://muzcentre.ru>

[WWW.LANEY.CO.UK](http://WWW.LANEY.CO.UK)

DESIGNED & ENGINEERED IN THE UK BY LANEY



## GENERAL INSTRUCTIONS

	<p>Intended to alert the user to the presence of uninsulated 'Dangerous Voltage' within the products enclosure that may be sufficient to constitute a risk of electrical shock to persons.</p> <p>Ce symbole est utilise pur indiquer a l'utilisateur de ce produit de tension non-isolee dangereuse pouvant etre d'intensite suffisante pour constituer un risque de choc electrique.</p> <p>Este simbolo tiene el proposito de alertar al usuario de la presencia de '(voltaje) peligroso' que no tiene aislamiento dentro de la caja del producto que puede tener una magnitud suficiente como para constituir riesgo de corrientazo.</p> <p>Dieses Symbol soll den Anwender vor unisolierten gefahrlichen Spannungen innerhalb des Gehauses warnen, die von Ausreichender Starke sind, um einen elektrischen Schlag verursachen zu konnen.</p>
	<p>Intended to alert the user of the presence of important operating and maintenance (Servicing) instructions in the literature accompanying the product.</p> <p>Dieses Symbol soll den Anwender vor unisolierten gefahrlichen Spannungen innerhalb des Gehauses warnen, die von Ausreichender Starke sind, um einen elektrischen Schlag verursachen zu konnen.</p> <p>Este simbolo tiene el proposito de la alerta al usuario de la presencis de instrucccones importantes sobre la operacion y mantenimiento en la literatura que viene conel producto.</p> <p>Dieses Symbol soll den Benutzer auf wichtige Instruktionen in der Bedienungsanleitung aufmerksam machen, die Handhabung und Wartung des Produkts betreffen.</p>
<p><b>CAUTION:</b></p> <p><b>ATTENTION:</b></p> <p><b>PRECAUCION:</b></p> <p><b>VORSICHT:</b></p>	<p>Risk of electrical shock - DO NOT OPEN. To reduce the risk of electrical shock, do not remove the cover. No user serviceable parts inside. Refer servicing to qualified personnel.</p> <p>Risques de choc electrique - NE PAS OUVIRIR Afin de reduire le risque de choc electrique, ne pas enlever le couvercle. Il ne se trouve a l'interieur aucune piece pouvant etre reparee par l'utilisateur. Confier l'entretien a un personnel qualifie.</p> <p>Riesgo de corrientazo - no abra Para disminuir el riesgo de corrientazo, no abra la cubierta. No hay piezas adentro que el pueda reparar. Deje todo mantenimiento a los tecnicos calificados.</p> <p>Risiko - Elektrischer Schlag! Nicht offen! Um das Risiko eines elektrischen Schlages zu vermeiden, nicht die Abdeckung entfernen. Es befinden sich keine Teile darin, die vom Anwender repariert werden Konnten. Reparaturen nur von qualifiziertem Fachpersonal durchfuhren lassen.</p>
<p><b>WARNING:</b></p> <p><b>ADVERTISSEMENT:</b></p> <p><b>ADVERTENCIA:</b></p> <p><b>ACHTUNG:</b></p>	<p>To prevent electrical shock or fire hazard, do not expose this appliance to rain or moisture. Before using this appliance please read the operating instructions for further warnings.</p> <p>Afin de prevenir les risques de decharge electrique ou de feu, n'exposez pas cet appareil a la pluie ou a l'humidite. Avant d'utiliser cet appareil, lisez les advertissements supplementaires situes dans le guide.</p> <p>Para evitar corrientazos o peligro de incendio, no deja expuesto a la lluvia o humedad este aparato Antes de usar este aparato, lea mas advertcias en la guia de operacion.</p> <p>Um einen elektrischen Schalg oder Feuergefahr zu vermeiden, sollte dieses Gerat nicht dem Regen oder Feuchtigkeit ausgesetzt werden. Vor Inbetriebnahme unbedingt die Bedienungsanleitung lesen.</p>

After unpacking your amplifier check that it is factory fitted with a three pin 'grounded' (or earthed) plug. Before plugging into the power supply ensure you are connecting to a grounded earth outlet.

If you should wish to change the factory fitted plug yourself, ensure that the wiring convention applicable to the country where the amplifier is to be used is strictly conformed to. As an example in the United Kingdom the cable colour code for connections are as follows.

EARTH or GROUND GREEN/YELLOW  
NEUTRAL - BLUE  
LIVE - BROWN



### NOTE

This manual has been written for easy access of information. The front and rear panels are graphically illustrated, with each control and feature numbered. For a description of the function of each control feature, simply check the number with the explanations adjacent to each panel.

Your Laney amplifier has undergone a thorough two stage, pre-delivery inspection, involving actual play testing.

When you first receive your Laney guitar amplifier, follow these simple procedures:

- (i) Ensure that the amplifier is the correct voltage for the country it is to be used in.
  - (ii) Connect your instrument with a high quality shielded instrument cable. You have probably spent considerable money on your amplifier and guitar - don't use poor quality cable it won't do your gear justice.
- Please retain your original carton and packaging so in the unlikely event that some time in the future your amplifier should require servicing you will be able to return it to your dealer securely packed.

Care of your Laney amplifier will prolong it's life.....and yours!

## WELCOME

Dear Player,

Thank you very much for purchasing your new Laney product and becoming part of the worldwide Laney family.

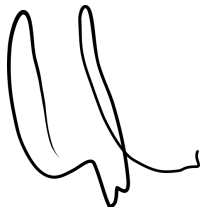
Each and every Laney unit is designed and built with the utmost attention to care and detail, so I trust yours will give you many years of enjoyment.

Laney products have a heritage which stretches back to 1967 when I first began building valve amplifiers in my parents' garage.

Since then we have moved on from strength to strength developing an extensive range of guitar, bass, public address, multi instrument and keyboard amplification products along with a list of Laney endorsees that includes some of the world's most famous and respected musicians.

At the same time we believe we have not lost sight of the reason Laney was founded in the first place - a dedication to building great sounding amplification for working musicians.

Warm Regards,

A handwritten signature in black ink, appearing to read 'Lyndon Laney', with a stylized, flowing end.

Lyndon Laney  
Chairman and Founder.

Forged deep within the Black Country - the metal beating industrial heartland of the UK - where the sound of metal guitar was born, comes the IRONHEART.

# IRONHEART

With molten metal flowing through its circuits, IRONHEART continues the legacy passed on by previous Laney amps such as KLIPP and AOR, and hits you hard between the eyes like a power hammer from hell.

As a member of the IRONHEART family, the IRT-Studio has the same ferocious DNA beneath its hard metal chassis, emitting the familiar dark red glow that warns of the power ready to be unleashed.

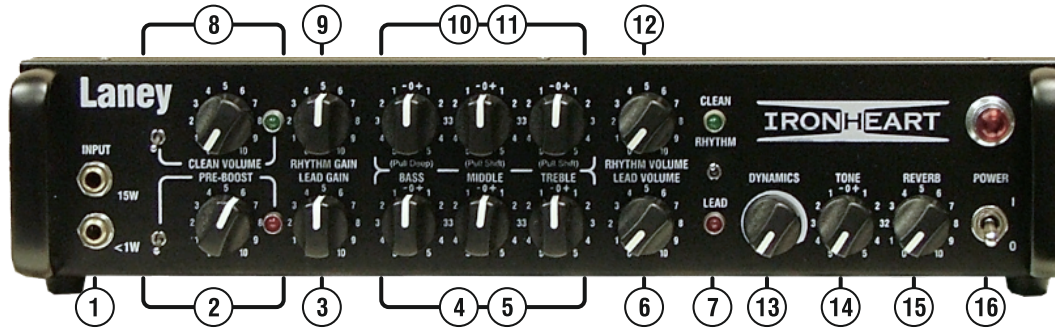
The IRT-Studio has been designed to bring the versatility and power of the IRONHEART family into the studio, capturing the essence of its bigger brothers, but in a 2U rack-mountable sturdy steel cabinet. Emulated speaker outputs and a low power input socket allow you to push the 15W output stage to its limits at a more controllable volume level. A USB2.0 socket enables connection to most recording software and re-amping if required. A dummy load is connected if a loudspeaker is not present, allowing you to record silently if required.

The IRT-Studio features the same familiar Pre-Boost and pull-shift EQ as the bigger IRT60 and IRT120 models, as well as the flexible Dynamics and Tone controls that operate on the output section.

Combine your IRT-Studio with an IRT412, IRT212 or IRT112 speaker cabinet for the ultimate tonal experience.



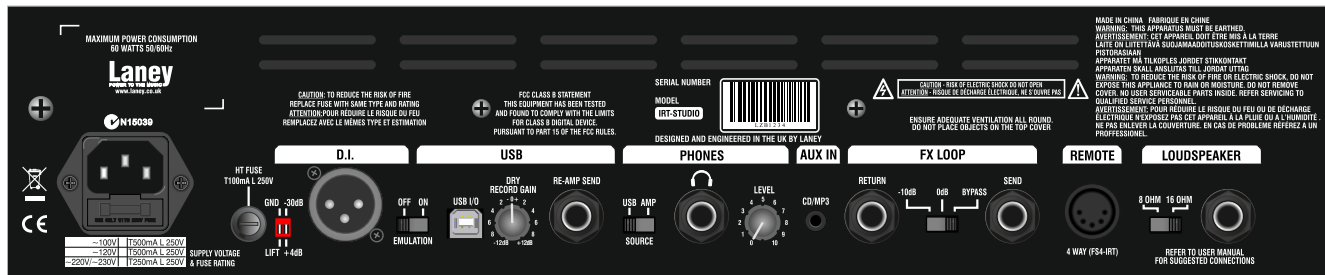
## FRONT PANEL CONTROLS



- ① **15W INPUT:** Mono jack socket. Connect your guitar here to get full volume output. Use only high quality guitar cable.
- ② **<1W INPUT:** Mono jack socket. Connecting your guitar here switches the output stage to under 1W. This allows you to drive the output stage hard at bedroom volume levels. Note: Both sockets should not be used simultaneously.
- ③ **PRE-BOOST SWITCH:** Switches the input boost circuit on or off. The Pre-Boost circuit increases the input signal to the preamp tubes, just like placing a boost pedal in your signal path. This drives the preamp tubes harder, resulting in more distortion. This works on all channels.
- ④ **PRE-BOOST CONTROL:** Controls the level of boost applied to the guitar signal.
- ⑤ **PRE-BOOST LED:** This LED will illuminate when the Pre-Boost controls are activated.
- ③ **LEAD GAIN:** Controls the level of preamp distortion on the Lead channel. Turning this control clockwise will add more distortion to your guitar signal, ranging from light overdrive, to full on metal. Use this in conjunction with the Lead Volume Control (6) to achieve the correct volume and distortion level you require. With the volume control below 6, you will only get preamp distortion. Turning past 6 will progressively add power amp distortion.
- ④ **LEAD EQ CONTROLS:** These are a traditional set of passive tone controls. Passive controls have the advantage of always sounding musical at any of their settings, due to their unique interactive nature. This gives the player a more natural set of tools to shape their ideal sound. Set these midway at (0) as a good starting point.
- ⑤ **LEAD EQ PULL SWITCHES:** Pulling on each of the EQ control knobs will shift the response of each control as follows:
  - Bass: Deep - This extends the low-end frequency response, resulting in a fuller, heavier sound for lower notes.
  - Mid: Shift - This lowers the frequency range of the Mid control to give a tighter sound.
  - Treble: Shift - This broadens the Treble control frequency response, to give a rounder sound to higher notes, especially when used with thin sounding pickups.
- ⑩

- ⑥ **LEAD VOLUME:** Controls the Lead channel volume. Experiment with different combinations of the Drive and Volume controls to achieve different sounds. Reducing the Drive while increasing the Volume will result in a warm, open, overdriven sound as the power amp is driven harder, while reducing the Volume and increasing the Drive will give a tighter, more modern sound with more distortion. Once set, try using your guitar's volume controls to interactively adjust tone and distortion levels. Use the low power input socket to push the output stage hard (settings 7-10) at quieter practice levels.
- ⑦ **CHANNEL SWITCH & LEDs:** Switches between the Lead and Clean/Rhythm channels. LEDs indicate currently active channel.
- ⑧ **CLEAN/RHYTHM SWITCH & LED:** This switch activates the Clean mode on the Rhythm channel. When operated, the Clean Volume control becomes active, while Rhythm Gain (9) and Rhythm Volume(12) are removed from the signal path. When using clean mode, the preamp gain is lowered, resulting in a cleaner tone. LED indicates that Clean mode is active.
- CLEAN VOLUME:** Use this to control the volume of the amplifier when using Clean mode. The amp can still be driven to overdrive with the control turned fully clockwise, and can be driven harder by using the Pre-Boost.
- ⑨ **RHYTHM GAIN:** As Lead Gain (3).
- ⑩ **CLEAN/RHYTHM EQ CONTROLS:** As Lead EQ Controls (4).
- ⑪ **CLEAN/RHYTHM EQ PULL SWITCHES:** As Lead EQ Pull Switches (5).
- ⑫ **RHYTHM VOLUME:** As Lead Volume (6).
- ⑬ **DYNAMICS:** This allows control over the response of the amplifier at lower frequencies. Turning this control clockwise gives a looser low end, while lower settings provide a tighter response. The optimum setting is dependant both on the speaker cabinet and/or the volume level being used.
- ⑭ **STONE:** This Stone control works in a similar fashion to the Tone control you probably have on your guitar except that it uniquely works at the other end of the amplification chain. This has the ability to not only control the overall top end response but also reduce upper harmonics on the output stage and preamplifier overdrive sounds. This will give you bright cutting sounds at high settings and smooth rounded sounds at lower settings. Midway (0) is a good starting point.
- ⑮ **REVERB:** Controls the level of the built in Laney-designed digital reverb.
- ⑯ **POWER SWITCH:** Main power switch for the unit. Tube amplifiers take between 30 seconds to 2 minutes to warm up and be ready to play after switching on, this is normal. To turn on, flip the switch to 1 (up).
- POWER LAMP:** This will illuminate when the power switch is operated, indicating the presence of mains power within the amplifier.

## REAR PANEL CONTROLS



Spare fuse located in the fuse drawer.

- ① **MAINS INLET SOCKET - MAINS FUSE:** Make sure the voltage indicated on the rear panel is correct for your country! This drawer contains the main safety fuse for the unit. The fuse protects the amplifier from damage in the event of fault by disconnecting the mains power supply.
- ② **HT FUSE:** This fuse disconnects the high voltage DC power to the tubes within the amplifier in the event of a fault.  
Replacing fuses - **USE ONLY THE CORRECT SIZE AND RATING SPECIFIED ON THE PANEL.** - Using a fuse that is too large in current rating may cause serious, irreparable damage to the amplifier and presents a serious fire hazard. The fuse ratings are detailed in the Specifications section of this manual, as well as printed on the rear of the amplifier. Fuses are designed to protect, do not take chances.
- ③ **DI:** Use this socket to connect your amplifier to a PA system or recording interface. The socket features switchable speaker emulation to shape the tone in a similar way to the loudspeaker, allowing a closer reproduction of the entire Guitar - Amp - Speaker system. The socket has a fully balanced output, (switchable +4dB/-30dB & Ground Lift) for maximum noise reduction. You may use this socket to record without a loudspeaker connected for silent recording as there is a protective load applied when the speaker socket (9) is not used.

**TIP**

(Use +4dB to connect to powered monitor cabinets. Use -30dB to avoid noise and overload for mixing desks inputs)

12

- 4 **USB:** Record replay connector, (Dry on left channel, processed on right channel). USB2.0 is compatible with Windows XP ® operating system, Windows 7 ® operating system & Windows 8 ® operating system. Also compatible with Mac ® & iPad ®1-3 via camera USB adaptor, iPad ® 4 & iPad Mini ® via Lightning-USB camera adaptor cable.
- Dry signal send with level control +/-12dB gain to optimise record levels.
  - Re-amp output jack allows Dry return signal from USB to be connected via jack cable to the Amp input.
- 5 **PHONES:** Use this stereo socket to practice with headphones, or if you want to DI out. This socket features similar emulation circuitry as the DI out. When using headphones, ensure **Level** is set to minimum and then increase to a comfortable level. Using the Source switch, USB or the amplifier can be monitored.
- 6 **AUX IN:** A 3.5mm Stereo line input for connection of a CD or MP3 player as a backing track. Control the level of the input using the volume control on your CD/MP3 player. This input is present at the DI and Headphone sockets, but not at the FX send socket.
- FX RETURN:** Mono jack socket for the connection of the output of an external FX unit. This can also be used as a slave in for the power amp. As the FX Loop is an insert type, this will mute the preamp signal.
- FX LOOP SWITCH:** Selects the FX Loop mode of operation:
- -10dBu - For connection of FX units with a -10dBu nominal output level. As this is intended for devices with a lower output level, this switch increases the gain of the FX Loop by 10dB.
  - 0 dBu - For connection of FX units with a 0dBu nominal output level.
  - Bypass - Removes the FX Loop from the signal path.
- FX SEND:** Mono jack socket for connection to the input of an external FX unit.
- 8 **FOOTSWITCH SOCKET:** Connect the supplied FS4-IRT here using the supplied 5 pin DIN cable. This allows you to remotely control the following functions: Channel, Clean, Reverb, and Boost. In order to operate the functions correctly, set Pre-Boost and Clean to ON, and Channel to Lead.
- 9 **LOUDSPEAKER CONNECTIONS:** Connect your loudspeaker here. Ensure that the impedance switch is set correctly for the cabinet(s) you are using. Mismatching your speaker impedance will reduce the performance of your amplifier, and in extreme cases may damage the unit. The unit may be operated without a loudspeaker if desired, allowing you to record silently, or use headphones to practice. When the loudspeaker socket is not used, an internal load is applied, protecting the output transformer, and emulating the effect of loading it with a speaker. If no loudspeaker is to be used, ensure that the speaker cable is removed from the amplifier.



## SPECIFICATIONS

Supply Voltage:- Factory	~100V, ~120V, ~220V, ~230V, ~240V 50/60Hz	
Mains Fuse:	~100V>~120V T500mAL	
	~220V>~240V T250mAL	
HT Fuse	T100mAL	
Power Consumption	60W	
Output Power Rating	15W	
Channels	3 - Clean, Rhythm & Lead	
Features:	High and low power input sockets	
	Pre-Boost Input Control	
	3 x 12AX7/ECC83 preamp tubes	
	2 x EL84 output tubes	
	Emulated DI & Phones with Level control	
	3.5mm Stereo CD/MP3 Line input	
	Laney-designed digital reverb	
	Insert-type FX Loop (0dBu, -10dBu, Bypass)	
	2U rack-mountable chassis (rack wings included)	
	USB2.0 Socket compatible with:	Windows XP Operating System ®
		Windows 7 Operating System ®
		Windows 8 Operating System ®
		Mac OS ®
		iPad ®
Equalisation	Per channel: Passive Bass, Middle Treble with switchable Deep, Mid Shift & Treble Shift Master section: Dynamics & Tone	
Footswitch	Laney FS4-IRT (included): Channel, Clean, Reverb, Boost	
Loudspeaker Outputs	8-16 Ohms (switchable)	
Input Impedance	1M Ohm/47pF	
Size	88*428*285 (H*W*D)	
Unit Weight	5.5Kg	
Packed Weight	8Kg	

Carton Contents
IRT-Studio Amplifier
FS4-IRT Footswitch
5 pin Footswitch Cable
Mains Cable
User Manual
Rack Wing x2
Rack Wing Screw x8

# QUICK START SETTINGS

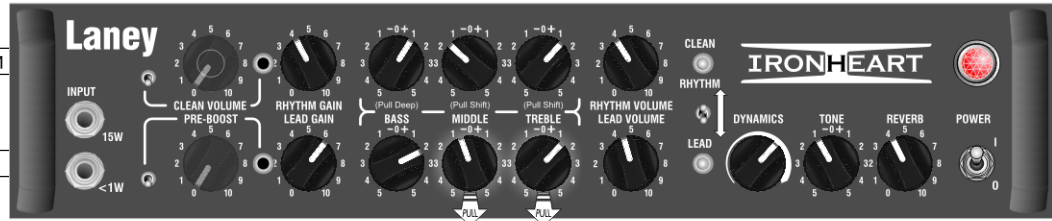
Set To Preference

CLEAN



ROCK

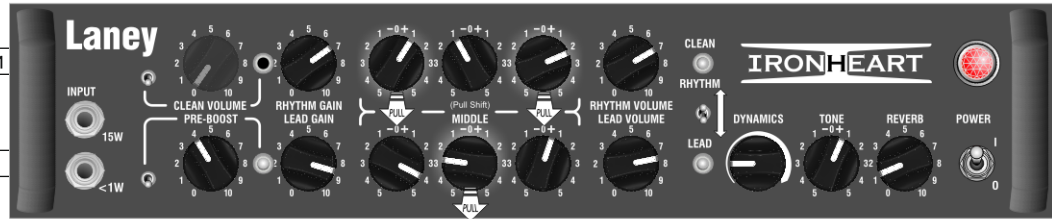
RHYTHM



LEAD

METAL

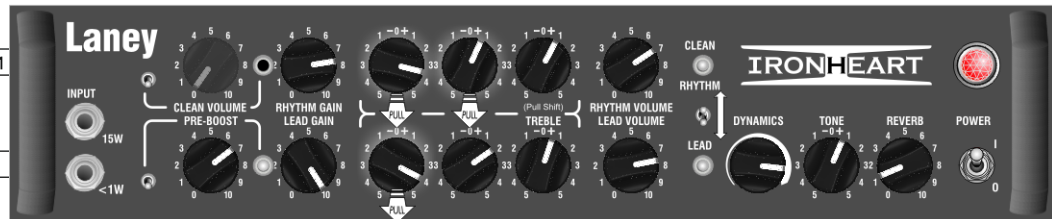
RHYTHM



LEAD

DETUNED METAL

RHYTHM



LEAD

## TUBE AMP TIPS

Tube amplifiers generally sound much warmer/sweeter than solid state transistor amplifiers but they also need a little more respect due to the fragile glass tubes. The IRT-Studio uses three 12AX7 preamp tubes, and 2 EL84 output tubes which should give you years of trouble free service, however like all tube amps; it is important to treat it with a certain amount of care. Use the following steps as a guide for how to take care of your amplifier:

- Take care when moving the amplifier. Tubes are fragile glass components, they can easily be damaged if thrown in and out of vans.
- Make sure the impedance of your cabinets matches the setting on your amplifier. Improper impedance matching will result in reduced output power and compromised sound at best, and amplifier failure/shortened tube life at worst.
- Allow the amplifier to warm up to room temperature before switching it on: the sudden thermal shock can crack a cold glass tube enclosure, plus any moisture is bad news around high voltage electronics.
- After playing, allow the amplifier to cool down before moving. Hot tubes are more fragile than cool ones.
- Always use good quality loudspeaker cables: instrument cables are not capable of handling the load requirements of the loudspeaker and can short out.

A tubes life expectancy is based upon a number of factors which include operating temperature, how hard and how often it is played, vibration due to travel, etc. Tubes should be changed in your amplifier if you notice any deterioration in your amplifiers sound or performance. Otherwise, they need not be changed at any regular interval.

Typical problems with preamp tubes can be crackly noise, hiss, hum, and microphony. If they fail or exhibit reduced performance, preamp tubes can simply be swapped out with no further action required.

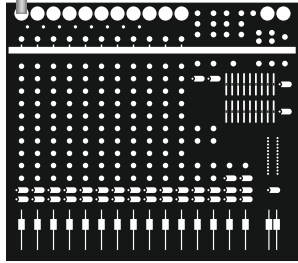
Typical output tube problems can include a blown HT fuse, sound lacking in punch, sound lacking extreme highs or low, and low level hum. The output tubes can be replaced singly if you replace them with the exact same type AND grade as factory fitted, otherwise they should be replaced as a matched pair. ***The user should not attempt to service this product.***

### Method of replacing tubes for Qualified Service Engineers

To change a tube, firstly switch off and unplug the amplifier from the mains supply. Wait for the tubes to cool down. Remove the top cover. Preamp tubes are protected with a screen can; to remove, push down and twist the can anti clockwise and then pull up. The tube can now be gently pulled out. Output tubes have a spring retainer which grips the base of the tube; push down on this with one hand, whilst gently rocking the tube with the other to remove. Take care when inserting the new tube to make sure all pins are correctly aligned. Replace the top cover before connecting to the mains supply.

See page 18 for tube part number.

SAMPLE SETUP



Mixer Desk  
or  
Powered Cab



iPad or iPad mini®



FX Unit

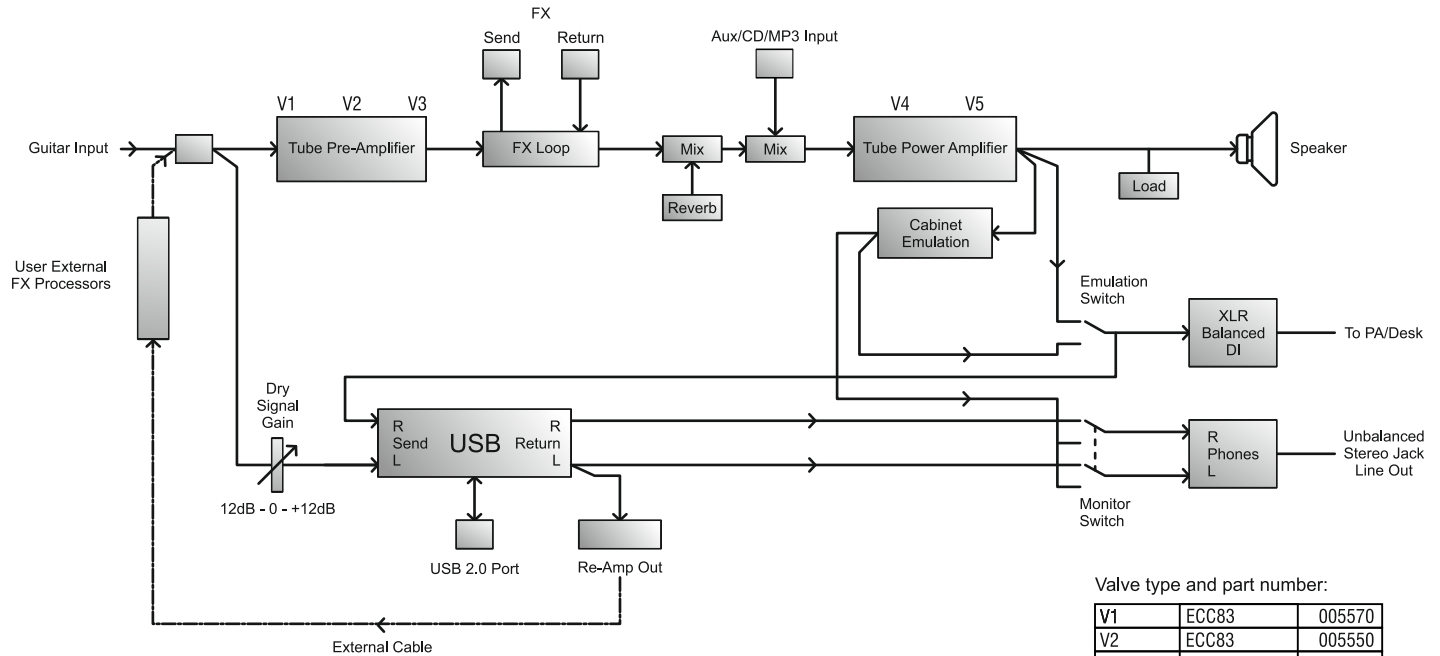


FS4-IRT



IRT-212

# SIGNAL PATH BLOCK DIAGRAM



Always switch off and disconnect power cord when not in use

**USB Interface options:**

- USB2.0 Bidirectional to PC/Mac/iPad etc.
- Record output of amplifier with or without a speaker load connected
- Simultaneously record dry guitar signal for later processing or Re-Amping.
- Re-Amp guitar track changing the settings as required
- Re-Amp guitar track with external stomp boxes as required
- Add tube amplifier and/or power amplifier warmth to digital guitar tracks with or without speaker load.

**Record out via USB**

To run into iPad or iPad mini connect via a Camera USB adaptor, PC/MAC connects via standard A-B USB cable, for use with the likes of Garage Band ®, Audacity ®, MixPad Audio Mixer ®, Pro Tools and similar. It should be noted that the audio output of an iPad or iPad mini is disengaged and returned via the USB. This can be picked up via a rear panel monitor switch on the amplifier headphones in stereo, or if required, routed into a PA system/power cabinets.

D.I. remains directly after the amplifier cabinet emulation but has a switch to enable a non-emulated output for post digital cabinet emulation etc. A level control feeds headphones/line out which are permanently emulated.

**Re-Amp Facility**

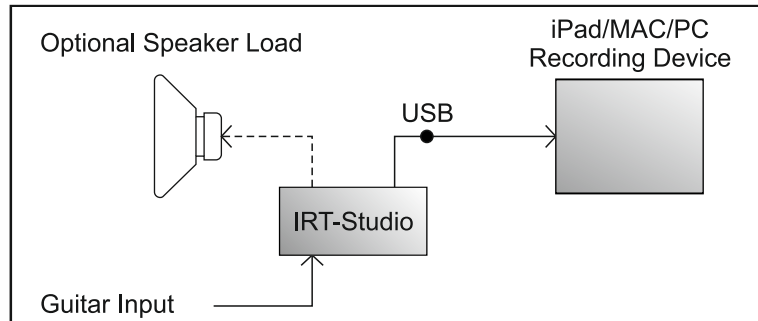
During recording the amplifier processed signal is sent to the right hand channel. the left hand channel carries the guitar signal totally unprocessed. On an iPad using Garage Band if the track is recorded in stereo then copied with one track panned left and the other track panned right, then both raw and processed signals are available independently.

This allows for the re-amplifying of a sound that may have been over processed initially. To re-amp via Garage Band on the iPad, solo the original channel and record a new one with the link in place from the rear re-amp socket and the guitar input. The newly processed signal will now appear on the right channel with the guitar direct signal again on the left. Other effects may be added into the link cable but the guitar original sound will not be recorded. It will instead record to the left channel the sound directly after the effects with no amplifier and the fully processed signal after the amplifier and effects on the right.

**TIP**

*(The processed signal can be emulated or non-emulated dependant on the cabinet emulation switch selection).*

**IRT Studio USB Recording:**



Connect your USB recording device (PC/MAC or iPad) via an appropriate USB cable.

Your amplifier will send two audio tracks to your recording device:

(1) On the Left channel the direct unaffected guitar signal.

**TIP** (This can be used at a later date for "Re-Amping".)

(2) On the Right channel the amplified fully processed signal.

These can be split into separate tracks in various ways dependent on your software. The signal level of the left channel, sent to the recording device, can be adjusted with the rear panel level control.

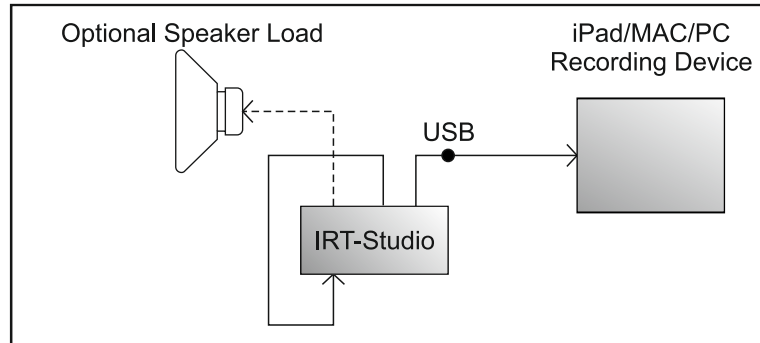
The signal level of the right channel is controlled by the IRT Studio volume controls.

The processed signal sent to the right channel can be emulated or left untreated via the emulation switch. (Note this switch also affects the signal being sent via the XLR DI out).

**TIP** (Alternatively record left & right as two separate tracks for maximum flexibility)

All this can be done without a speaker load connected.

However adding a speaker can in some cases give extra mechanical dynamics to the recorded sound.

**IRT Studio USB “Re-Amping”:**

Connect USB cable as for recording.

Then connect a good quality screened guitar cable from the rear panel “Re-Amp” output jack and loop round the front panel to guitar input jack.

**TIP** (Route lead in an anti-clockwise direction around the amplifier to avoid hum pick-up from the power transformer)

Output the original unprocessed guitar track by monitoring it on your record device.

**TIP** (For lowest noise performance, adjust the Dry signal send control for the maximum undistorted record level on your DAW).

Start your record device. The monitored track will be sent to the amplifier input and the device will record the now processed signal from the amplifier output. The controls on the amplifier can be adjusted to obtain the new sound you require.

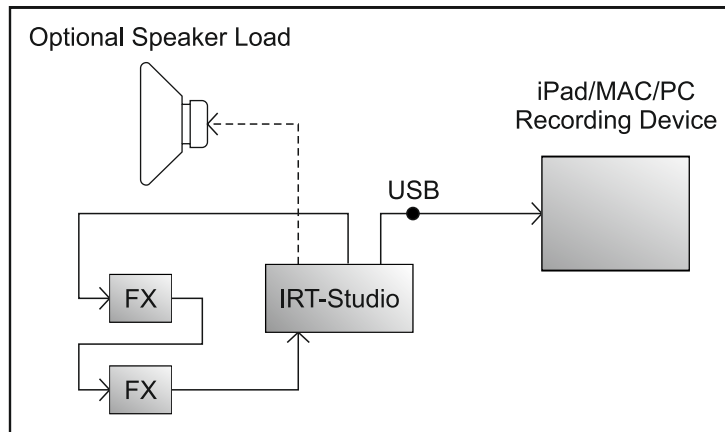
You will now have the original track and the new re-processed version.

**TIP** (Make sure your monitor track output is being sent to the left channel output or both)



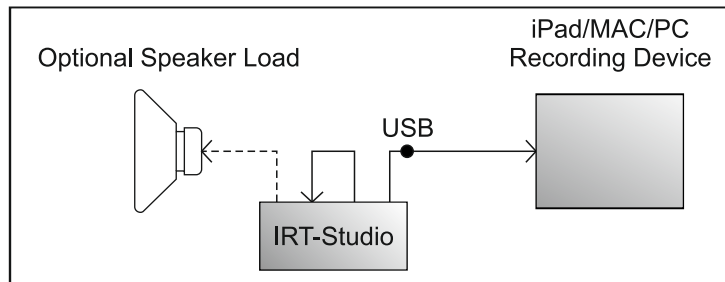
### IRT Studio USB “Re-Amping” with added Stomp box Effects:

Proceed as for normal “Re-Amping” except in this case insert your FX box/s into the Guitar lead from the Re-Amp out jack to the Guitar amplifier input. The recorded Left channel will contain the original unprocessed signal now with your effects only added. The right channel will contain the same sound but also processed via the Studio amplifier.



### IRT Studio USB Tube “Output Stage Warming”:

Set up in a similar manner to “Re-Amping”, except return the signal lead from the “Re-Amp” jack to the FX return Jack on the rear panel. (Set the FX switch to 0dB). Then proceed as for Re-Amping except this time only the Dynamics/Tone and Reverb controls will be operative. This can be run with or without a speaker connected with different results.

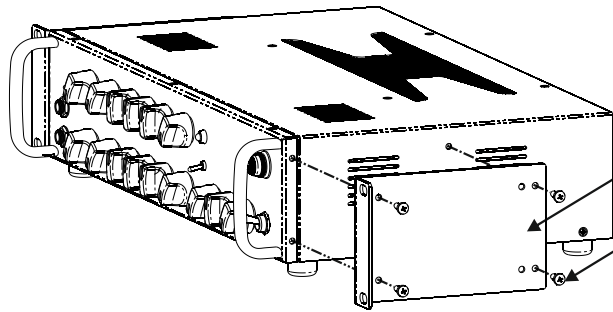


**TIP** (If a speaker is connected then the 15W high output option can be initiated by inserting an unconnected jack plug into the 15W front panel jack).

**TIP** (It should be noted that without a speaker connected the amplifier always defaults to <1W operation regardless of which input jack is used)

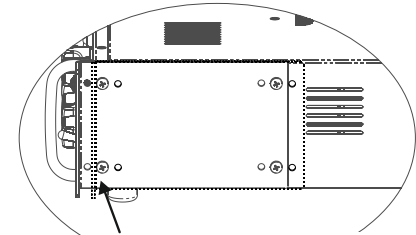
**Ventilation:**

Ensure the amplifier is well ventilated and that the ventilation slots in the top, bottom & sides are not obstructed in any way. Avoid dropping anything in through the vents especially liquids of any kind. If this should happen turn off the product and disconnect from the power supply immediately and leave to dry out for at least 24hrs. Seek help from a qualified service engineer.

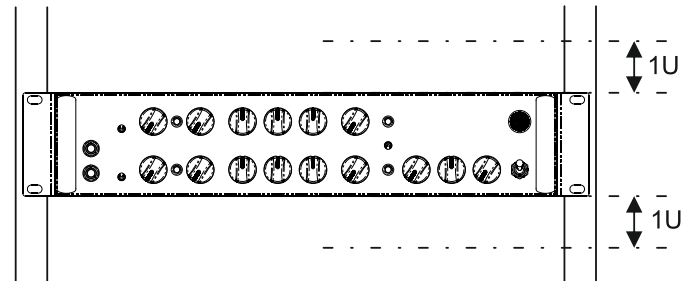


Rack Wing 008496

M4 x 10mm Screw 008497



Choice of mounting positions



**Rack Mounting:**

Using the included Rack Wings, the chassis may be fitted into a standard 2U sized slot in a 19" rack unit. The wings are provided with a choice of mounting holes to allow the fascia to be flush with or recessed into the rack mounts. Only use the supplied mounting screws to attach the wings to the amplifier, as longer items could cause internal damage.

Ventilation must also be considered when rack mounting and adequate provisions made. We recommend that a gap no less than a 1U slot is provided on top and underneath the amplifier to provide adequate air flow for cooling.



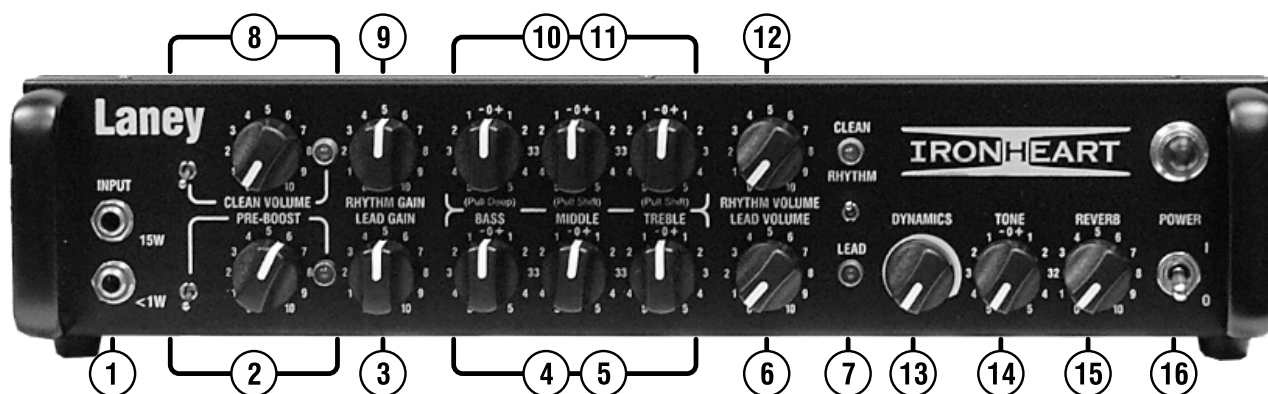
**USER MANUAL**

# **TRANSLATIONS**

**WWW.LANEY.CO.UK**

**DESIGNED & ENGINEERED IN THE UK BY LANEY**

## CONTROLES DEL PANEL FRONTAL



**1. 15W INPUT:** Entrada de jack mono. Conecte aquí su guitarra para tener toda la potencia de salida. Use solo cables de calidad.

**<1W INPUT:** Entrada de jack mono. Conecte su guitarra para cambiar la potencia de salida por debajo de 1W. Esto le proporcionará un drive de salida fuerte a niveles domésticos. Nota: Ambas entradas no deben ser usadas simultáneamente.

**2. CONMUTADOR PRE-BOOST:** Conecta o desconecta el circuito de entrada boost. EL circuito Pre-Boost incrementa la señal en las válvulas de previo, como si tuviera un pedal de boost en su señal de línea. Esto lleva a las válvulas de previo a trabajar a más rendimiento traduciéndose en más distorsión. Esto funciona en todos los canales.

**CONTROL PRE-BOOST:** Controla la señal de boost aplicada a la señal de la guitarra.

**PRE-BOOST LED:** Este LED se ilumina cuando el control Pre-Boost está activado.

**3. LEAD GAIN:** Controla el nivel de distorsión del previo en el canal Lead. Girando este control en sentido de las agujas del reloj se añade más distorsión a la señal, variando desde un overdrive ligero a un completo metal. Usando esto conjuntamente con el Lead Volume Control (6) se logra el equilibrio entre el volumen correcto y la distorsión que necesite. Cuando el control de volumen está por debajo del 6 solo obtendrá distorsión del previo. Pasando el control del 6 progresivamente se añade distorsión de la etapa de potencia de salida.

**4. CONTROLES EQ LEAD:** Estos son los tradicionales controles de tono pasivos. Los controles pasivos tienen la ventaja de sonar siempre muy musicales en cualquier ajuste debido a su naturaleza interactiva única. Esto proporciona al músico una herramienta más natural para encontrar su sonido ideal. Colocarlos en la posición media (0) es un buen punto de partida.

**5. CONMUTADORES PULL EQ LEAD:** Tirando de cada uno de los controles de la EQ se cambiarán las respuestas de cada control de la siguiente manera:

Bass: Deep - Esto extiende la respuesta de las frecuencias bajas, resultando un sonido pesado y lleno de las notas graves.

Mid: Shift - Esto baja el rango de frecuencias del control Mid para dar un sonido más apretado.

Treble: Shift - Esto ensancha la respuesta de la frecuencia en el control Treble, para dar un sonido más redondo a las notas agudas, especialmente cuando se usa con pastillas de sonido afilado.

**6. VOLUMEN LEAD:** Controla el volumen del canal Lead. Experimente con diferentes combinaciones entre el Drive y el Volume para lograr diferentes sonidos.

Reduciendo el Drive mientras incrementamos el Volume obtendremos un sonido más abierto, cálido y saturado mientras la etapa de potencia es trabajando a alto rendimiento. Si reducimos el Volume e incrementamos el Drive tendremos un sonido más afilado y más moderno con más distorsión. Una vez encontrado pruebe a utilizar el volumen de su guitarra para ajustar interactivamente los niveles de tono y distorsión. Use la entrada de baja potencia para empujar más la etapa de salida (ajuste entre 7-10) para practicar a niveles silenciosos.

**7. CONMUTADOR DE CANAL Y LED:** Interruptor entre los canales Lead y Clean/Rhythm. El LED indica cual es el canal activo.

**8. CONMUTADOR CLEAN/RHYTHM Y LED:** Este interruptor active el modo Clean en el canal Rhythm. Cuando opera, el control Volume Clean está activo, mientras que Rhythm Gain (9) y Rhythm Volume (12) son eliminados de la señal. Cuando se usa el modo Clean, la ganancia del previo está baja, produciendo un tono limpio. El LED indica que el modo Clean está activado.

**VOLUMEN CLEAN:** Use esto para controlar el volumen del amplificador cuando esté usando el modo Clean. El amplificador se puede dirigir a un sonido overdrive cuando el control está completamente girado en sentido de las agujas del reloj, y se puede llevar a sonidos más duros si se usa el Pre-Boost.

**9. RHYTHM GAIN:** Como Lead Gain (3).

**10. CONTROLES EQ CLEAN/RHYTHM:** Como control de la EQ Lead (4).

**11. CONMUTADORES PULL EQ CLEAN/RHYTHM:** Como interruptores EQ Pull Lead (5). **11. CONMUTADORES PULL EQ CLEAN/RHYTHM:** Como interruptores EQ Pull Lead (5).

**12. VOLUMEN RHYTHM:** Como Lead Volume (6).

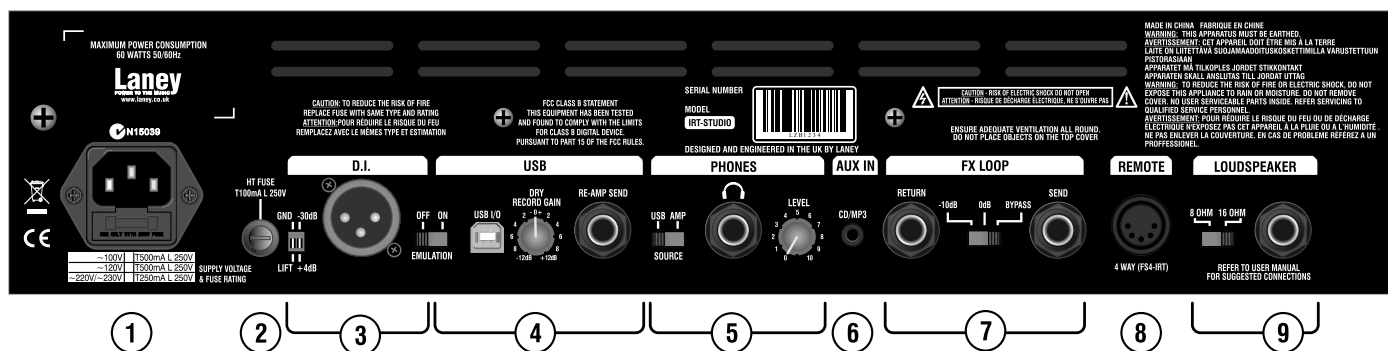
**13. DYNAMICS:** Esto permite el control sobre la respuesta del amplificador a bajas frecuencias. Girando este control en sentido de las agujas del reloj da unos graves más profundos mientras el ajuste bajo produce una respuesta afilada. El ajuste óptimo depende tanto de la pantalla como del nivel de volumen usado.

**14. TONE:** Este control de tono funciona de una manera similar al que probablemente tenga en su guitarra, excepto que la única diferencia con el otro es que trabaja al final de la cadena del amplificador. Este tiene no solo la capacidad de controlar la respuesta alta sino que también responde a los armónicos superiores en los sonidos overdrive de la etapa de salida y el preamplificador. Esto le dará un sonido de brillo constante en ajustes agudos y un suave y redondo sonido en los ajustes graves. La mitad (0) es un buen punto de partida.

**15. REVERB:** Controla el nivel de la reverb incorporada diseñada por Laney.

**16. POWER SWITCH:** Interruptor de potencia principal de la unidad. Los amplificadores de válvulas necesitan entre 30 segundos y 2 minutos para calentarse y estar preparados después del encendido, es normal. Para encenderlo, coloque el interruptor en la posición I (arriba).

**POWER LAMP:** Se iluminará cuando el interruptor de encendido esté operativo, indicando la presencia de corriente dentro del amplificador.



## PANEL TRASERO:

**1. MAINS INLET SOCKET - MAINS FUSE:** Asegúrese de que el voltaje indicado en el panel trasero es el correcto para su país. Este compartimento contiene el principal fusible de seguridad de la unidad. El fusible protege al amplificador de daños en el caso de fallo por desconexión del cable de potencia principal.

**2. HT FUSE:** Este fusible desconecta la corriente continua (DC) de las válvulas dentro del amplificador en caso de fallo.

Cambio de fusibles - USE SOLO EL TAMAÑO Y CARACTERÍSTICAS ESPECIFICADOS EN EL PANEL. Usar un fusible de diferentes características a las del amplificador se pueden causar serios e irreparables daños y presenta una seria amenaza de incendio. Las características del fusible están detalladas en la sección Especificaciones de este manual, y también impresas en la parte trasera del amplificador. Los fusibles están diseñados para proteger, no corra riesgos.

**3. DI:** Use esta salida para conectar su amplificador a un Sistema PA o a un interface de grabación. La salida también tiene un sistema de emulación de altavoz conmutable para encontrar un timbre similar al de una pantalla, encontrando una reproducción fiel de una línea Guitarra – Amplificador – Altavoz. La salida es completamente balanceada, (conmutable +4dB/-30dB y toma de tierra) para una máxima reducción de ruido. Puede utilizar esta salida para grabar sin necesidad de tener conectada una pantalla para una grabación silenciosa ya que tiene protección de carga cuando la salida de altavoz (9) no está en uso. (Utilice +4dB para conectarse a pantallas autoamplificadas. Utilice -30dB para evitar ruido y sobrecargas en las entradas de las mesas de mezclas)

**4. USB:** Conector de reproducción de grabación, (Señal sin procesar en el canal izquierdo, procesada en el canal derecho). El USB2.0 es compatible con sistemas operativos Windows XP®, Windows 7® y Windows 8®. También es compatible con Mac® e iPad® 1-3 a través del adaptador para cámara USB, iPad® 4 y iPad Mini® a través del cable para cámara Lightning-USB.

Envío de señal sin procesar con un control de nivel de ganancia de +/-12dB para optimizar los niveles de grabación.

La salida de jack Re-amp proporciona el retorno de la señal sin procesar del USB para conectar a través de un cable de Jack a la entrada del amplificador.

**5. PHONES:** Utilice esta salida estéreo para practicar con auriculares, o si lo prefiere como salida DI. Esta salida se caracteriza por tener una emulación similar a la del circuito de salida DI. Cuando use auriculares asegúrese de que Level esté situado en el mínimo y vaya incrementándolo hasta un nivel confortable. Usando el conmutador de fuente se puede monitorizar el amplificador o el USB.

**6. AUX IN:** Entrada de línea estéreo de 3.5mm para la conexión de un reproductor de CD o MP3. Controle el nivel de entrada usando el control de volumen de su reproductor CD/MP3. Esta entrada está presente en las salidas DI y auriculares, pero no en el envío de efectos.

**7. FX RETURN:** Jack de entrada mono para la conexión de una salida de una unidad de efectos externa. También puede ser usada como entrada esclava para la etapa de potencia. Como el loop de efectos es de tipo inserción, se muteará la señal del preamplificador.

**FX LOOP SWITCH:** Selecciona el modo de operación del loop de efectos:

- **-10dBu** - Para la conexión de unidades de efectos con un nivel de salida nominal de -10dB. Dado que está previsto para dispositivos con baja señal de salida, este conmutador incrementa la ganancia del loop de efectos en 10dB.
- **0 dBu** - Para la conexión de unidades con un nivel nominal de salida de 0dB.
- **Bypass** - Elimina el loop de efectos de la ruta de señal.

**FX SEND:** Jack de salida mono para la conexión a una entrada de una unidad de efectos externa.

**8. FOOTSWITCH SOCKET:** Conecte el pedal FS4-IRT incluido aquí usando el cable de conexión de 5 pins suministrado. Esto le permite el control remoto de las siguientes funciones: Channel, Clean, Reverb y Boost. Para operar las funciones correctamente, coloque Pre-Boost y Clean en ON y el canal en Lead.

**9. LOUDSPEAKER CONNECTIONS:** Conecte su pantalla aquí. Asegúrese de que el switch de la impedancia este correctamente colocado para la pantalla que esté utilizando. Si la impedancia no coincide se reducirá el rendimiento del amplificador y en casos extremos puede dañar la unidad. La unidad puede operar sin altavoz si lo desea, lo que le permite grabar en silencio o usar los auriculares para practicar. Cuando la salida de pantalla no está siendo utilizada es aplicada una carga interna protegiendo el transformador de salida y emulando el efecto de carga de un altavoz. Si no utiliza altavoz asegúrese de que el cable de pantalla no está colocado en el amplificador.

### Conecte su dispositivo de grabación USB (PC/MAC o iPad) con un cable apropiado.

Su amplificador enviará dos señales de audio a su dispositivo de grabación:

- (1) Por el canal izquierdo la señal de la guitarra sin procesar.
- (2) Por el canal derecho la señal de la guitarra procesada.

Estas se pueden separar en pistas de varias maneras dependiendo de su software. El nivel de señal del canal izquierdo enviado a su dispositivo de grabación puede ser ajustado en el control de nivel del panel trasero.

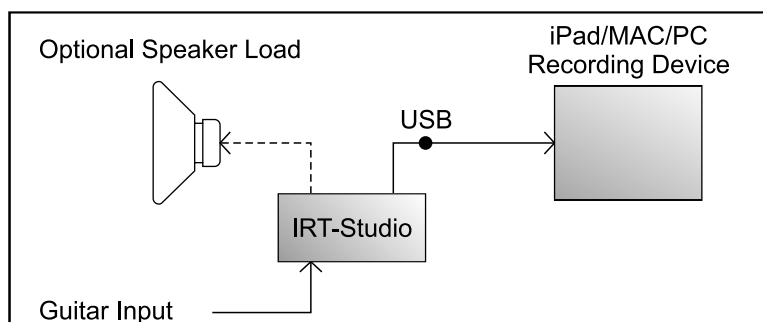
El nivel de señal del canal derecho es controlado por el volumen del IRT Studio.

La señal procesada enviada por el canal derecho puede emularse o no ser tratada a través del conmutador de emulación. (Tenga en cuenta que este interruptor también afecta a la señal que se envía a través de salida XLR DI).

(También puede grabar izquierda y derecha como pistas independientes para una mayor flexibilidad)

Todo esto se puede hacer sin tener conectada la salida de altavoz.

Sin embargo, añadir un altavoz, en algunos casos, puede cambiar la dinámica del sonido grabado.



### Conecte el cable USB como si fuera a grabar.

Entonces conecte un cable de alta calidad apantallado de la salida de jack del panel trasero "Re-Amp" y llévelo a la entrada jack de guitarra frontal.

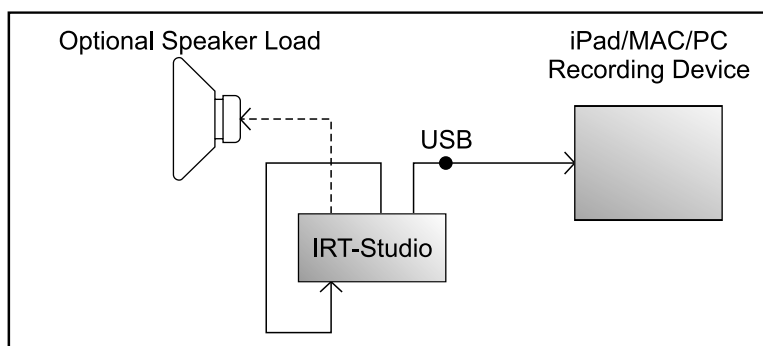
(Coloque el cable en sentido contrario a las agujas del reloj alrededor del amplificador para evitar interferencias con la etapa de potencia)

La salida de la pista original de guitarra sin procesar puede ser monitorizada en su dispositivo de grabación.

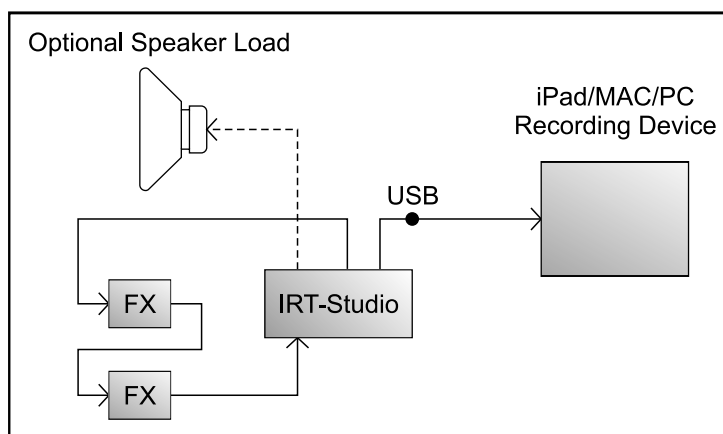
(Para un rendimiento con menor ruido ajuste el control de envío de señal sin procesar a un máximo nivel de grabación sin distorsionar de su DAW).

Inicie su dispositivo de grabación. La pista monitorizada será enviada a la entrada del amplificador y el dispositivo grabará ahora la señal procesada

desde la salida del amplificador. Los controles del amplificador pueden ser ajustados para obtener el nuevo sonido que necesite. Tendrá ahora la pista original y la nueva versión reprocesada. (Asegúrese de que la salida de monitor de su pista está enviando a la salida del canal izquierdo o las dos)

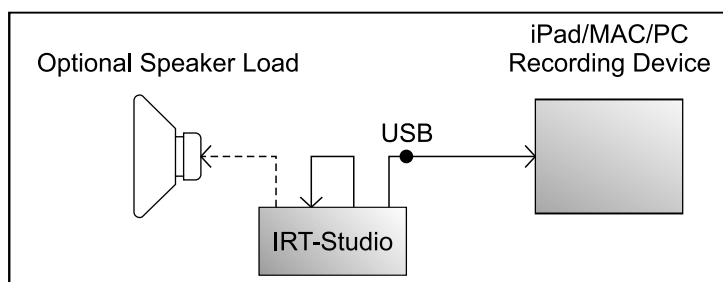


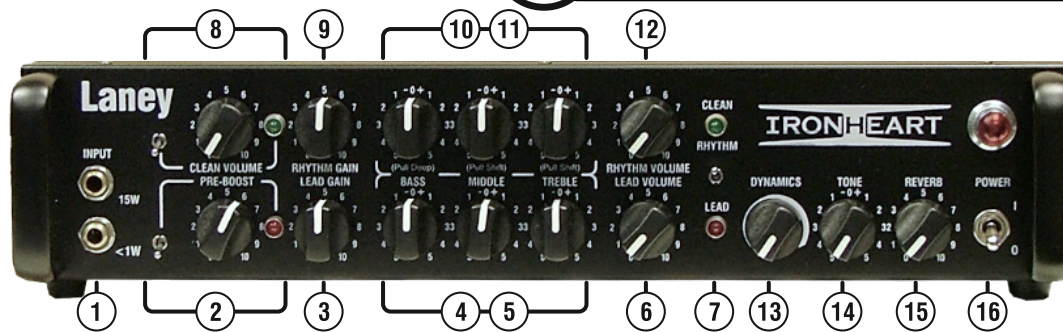
Proceda como en el "Re-Amping" normal excepto que en este caso inserte sus pedales de efectos entre la salida de Jack Re-Amp y la entrada del amplificador de guitarra. El canal izquierdo grabado contendrá la señal original sin procesar ahora solo con sus efectos añadidos. El canal derecho contendrá el mismo sonido pero también se procesará a través del amplificador Studio.



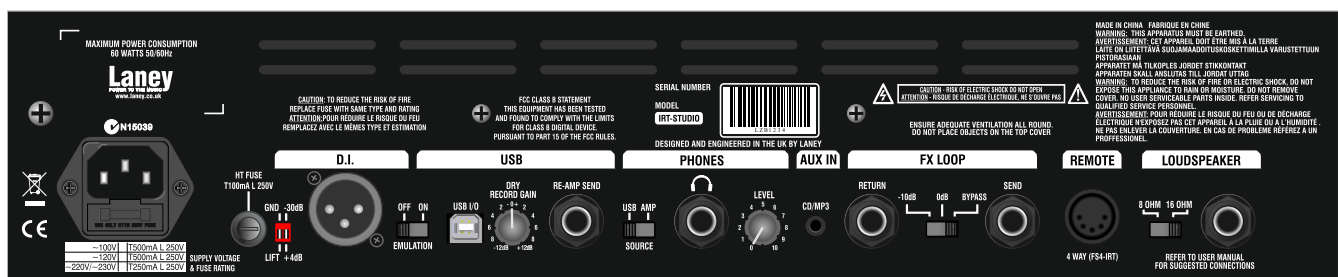
IRT-Studio Configurar de manera similar al "Re-Amping", excepto que el retorno de la señal del Jack de Re-Amp debe ser conectado al retorno de efectos del

panel posterior. (Coloque el conmutador de FX en 0dB). A continuación, proceda con en Re-Amping salvo que esta vez solo los controles Dynamics/Tone y Reverb estarán operativos. Esto se puede hacer con o sin una pantalla conectada para obtener diferentes resultados. (Si se conecta un altavoz, entonces la opción de 15W de potencia puede ser activada insertando un Jack sin cable en la entrada del panel frontal). (Debe tener en cuenta que sin un altavoz conectado el amplificador siempre trabajará por defecto a <math><1W</math>, independientemente de la entrada de jack que se use).

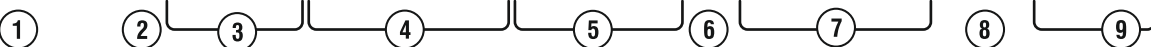




- 15W INPUT** : Entrée Jack mono. Branchez votre guitare pour avoir la pleine puissance. N'utilisez que des câbles guitare de haute qualité.  
**<1W INPUT** : Entrée Jack mono. Branchez votre guitare pour basculer l'étage de sortie sous 1W. Ceci permet de pousser l'étage de sortie à des niveaux sonores de chambre à coucher. Note : Ne pas utiliser les deux prises simultanément.
- Interrupteur PRE-BOOST** : Active (désactive) le circuit boost d'entrée. Ce circuit augmente le signal d'entrée avant les lampes du préampli comme si vous utilisiez une pédale de boost dans le trajet de votre signal. Ceci permet d'attaquer plus fort les lampes du préampli en donnant plus de distorsion. Cette option fonctionne sur les deux canaux.  
**Contrôle PRE-BOOST** : Ce réglage contrôle le niveau de boost appliqué au signal de la guitare.  
**Voyant PRE-BOOST** : Ce voyant s'allume lorsque la fonction Pre-Boost est active.
- LEAD GAIN** : Ce réglage contrôle le niveau du gain du préampli du canal Lead. En tournant dans le sens des aiguilles d'une montre, vous obtiendrez plus de distorsion, depuis un léger overdrive jusqu'au son métal. Utilisez ce réglage avec le volume Lead (6) pour obtenir le niveau de distorsion et volume que vous désirez. Si le contrôle de volume est sous 6, vous n'aurez que la saturation du préampli. Le contrôle au-dessus de 6 ajoutera progressivement la saturation de l'ampli.
- Contrôles de tonalité du canal Lead** : Ce sont des réglages passifs traditionnels. Les contrôles passifs ont l'avantage de toujours bien sonner musicalement quelque soit leurs réglages, de part le fait de leur nature interactive. Ceci permet au guitariste de profiter d'un jeu d'outils plus naturels pour moduler sa sonorité idéale. La position médiane (0) est un bon départ.
- Poussoirs de tonalité du canal Lead** : Chaque bouton de l'égaliseur peut être tiré pour modifier la courbe de réponse comme suit :  
Bass : Deep – La réponse dans les fréquences graves est étendue, donnant un son plus lourd et plein dans les notes graves.  
Mid : Shift – La réponse dans les fréquences médiums est réduite pour donner un son plus serré.  
Treble : Shift – La réponse dans les fréquences aiguës est étendue pour donner un son plus rond dans les aigus, particulièrement avec des micros ayant une sonorité fine.
- LEAD VOLUME** : Ce réglage contrôle le volume du canal Lead. Faites vos propres combinaisons de Gain et de Volume pour obtenir votre sonorité. En réduisant le Gain et en augmentant le Volume, vous aurez un son chaud, ouvert, légèrement saturé parce que l'ampli est poussé plus fort ; en réduisant le Volume et en augmentant le Gain, vous aurez un son plus fermé, moderne avec plus de distorsion. Lorsque vous êtes prêt, modifiez le réglage de volume de votre guitare pour ajouter encore une autre dimension à votre sonorité. Utilisez l'entrée <1W pour pousser l'étage de sortie (7 à 10) dans des niveaux moins bruyants.
- Interrupteur et voyant des canaux** : Il permet de basculer du canal Rhythm au canal Lead. Les voyants indiquent le canal sélectionné.
- Interrupteur et voyant du canal Clean** : Il permet d'activer le mode Clean (clair) sur le canal Rhythm. Dans ce cas, le contrôle de Volume Clean devient actif et le Gain Rhythm (9) et le Volume Rhythm (12) deviennent inactifs. En mode Clean, le gain du préampli est réduit pour offrir un son plus clair. Le voyant indique lorsque le canal Clean est actif.  
**CLEAN VOLUME** : Ce réglage contrôle le volume de l'ampli en mode Clean. L'ampli peut toujours être saturé en tournant le bouton à fond et encore plus, si le contrôle Pre-Boost est utilisé.
- RHYTHM GAIN** : Idem au Gain Lead (3).
- Contrôles de tonalité des canaux CLEAN/RHYTHM** : Idem aux contrôles de tonalité Lead (4).
- Poussoirs de tonalité du canal Lead** : Idem aux poussoirs de tonalité Lead (5).
- RHYTHM VOLUME** : Idem Volume Lead (6).
- DYNAMICS** : Ce contrôle ajuste la réponse de l'ampli dans les fréquences graves. En tournant le bouton vers la droite, les graves sont accentuées alors que vers la gauche, la réponse est plus claire. Le réglage optimal dépend de l'enceinte et du niveau du volume.
- STONE** : Ce contrôle fonctionne de la même manière que le potentiomètre de tonalité de votre guitare sauf qu'il est situé en bout de chaîne d'amplification. Il a non seulement la faculté de contrôler les fréquences élevées, mais aussi de réduire les harmoniques élevées de l'étage de sortie. Ceci permet d'obtenir des sons bien tranchants aux volumes élevés et des sons bien ronds aux volumes plus faibles. La position médiane (0) est un bon départ.
- REVERB** : Ce contrôle ajuste le niveau de la réverb numérique intégrée Laney.
- Interrupteur POWER** : Interrupteur général de l'ampli. Les amplis à lampes mettent entre 30 secondes et 2 minutes pour le préchauffage avant de pouvoir être opérationnels, ce qui est tout à fait normal.  
**Voyant POWER** : Ce voyant s'allume lorsque l'ampli est en marche, indiquant la présence du secteur dans l'ampli.



Spare fuse located in the fuse drawer.



page 2

1. **Prise d'alimentation secteur – Fusible principal** : Vérifiez que la tension indiquée sur le panneau arrière correspond à celle de votre région ! Le tiroir de la prise contient le fusible principal de l'ampli. Il le protège en cas de panne en le déconnectant du secteur.
2. **HT FUSE** : Ce fusible coupe la haute tension des lampes en cas de panne.  
Remplacement des fusibles - **N'UTILISEZ QUE DES FUSIBLES DE TAILLE ET DE CALIBRE IDENTIQUE A CEUX INDIQUES SUR LE PANNEAU ARRIERE**. L'utilisation d'un fusible de calibre supérieur peut entraîner des dégâts sérieux et irréparables dans l'ampli et présente un risque sérieux d'incendie. Le calibre du fusible général est détaillé dans la section caractéristiques de ce manuel. Les fusibles sont conçus pour protéger, ne prenez pas de risque.
3. **DI** : Utilisez cette prise pour relier votre ampli à une table de mixage ou un enregistreur. Cette prise comporte une émulation HP qui module le son d'une façon similaire à un haut-parleur, permettant une reproduction plus fidèle du système complet guitare-ampli-HP. Cette prise est symétrique pour réduire le bruit au maximum (niveau ajustable +4dB/-30dB et coupure de masse). Vous pouvez utiliser cette prise pour un enregistrement silencieux sans haut-parleur grâce à la charge de protection interne lorsque aucune enceinte n'est branchée sur la prise HP (9).  
*NOTE : Utilisez le niveau +4dB pour brancher un moniteur actif et le niveau -30dB pour brancher une table de mixage.*
4. **USB** : Prise pour enregistrement/reproduction (son original à gauche, son modifié à droite). La prise USB2.0 est compatible avec les systèmes d'exploitation Windows XP®, Windows 7® et Windows 8. Elle est aussi compatible avec l'iPad® 1 à 3 par un adaptateur USB caméra, l'iPad® 4 et l'iPad Mini® par la câble adaptateur caméra USB-Lightning.  
\* Le signal original est envoyé avec un contrôle de niveau +/-12dB pour optimiser les niveaux d'enregistrement.  
\* Le Jack de sortie Re-amp permet de renvoyer le signal original de l'USB vers l'entrée de l'ampli par un câble Jack.
5. **PHONES** : Cette prise stéréo permet de brancher un casque audio pour jouer silencieusement. Cette prise possède la même émulation HP que la sortie DI. Lorsque vous utilisez un casque, pensez à mettre le volume au minimum puis à l'augmenter progressivement. A l'aide du commutateur Source, vous pouvez écouter soit l'USB, soit l'ampli.
6. **AUX IN** : Cette entrée stéréo 3,5mm permet le branchement d'un lecteur CD ou MP3 pour avoir une bande-son. Vous contrôlez le niveau de l'entrée avec le volume de votre lecteur. Cette entrée est présente dans la sortie DI et dans le casque, mais pas sur la boucle d'effets.
7. **FX RETURN** : Ce Jack mono permet le branchement de la sortie du processeur d'effets externe. Il peut aussi servir d'entrée esclave pour l'ampli. Comme la boucle d'effets est du type insertion, elle coupe le signal du préampli.  
**Interrupteur FX LOOP** : Il sélectionne le mode de fonctionnement de la boucle d'effets :  
\* -10dB - pour le branchement de processeurs d'effets ayant un niveau nominal d'entrée de -10dB. Comme ceci est prévu pour des appareils ayant un niveau de sortie plus faible, cette position augmente le gain de la boucle de 10dB.  
\* 0dB – pour le branchement de processeurs d'effets ayant un niveau nominal d'entrée de 0dB.  
\* Bypass – retire la boucle d'effets du trajet du signal.  
**FX SEND** : Ce Jack mono permet le branchement vers l'entrée du processeur d'effets externe.
8. **REMOTE** : Cette prise à 5 broches permet de brancher la pédale FS4-IRT fournie. Elle contrôle les fonctions suivantes : Channel, Clean, Réverb et Boost. Pour que la pédale fonctionne correctement, basculez les interrupteurs Pre-Boost et Clean sur ON sur Channel sur Lead.
9. **LOUDSPEAKER** : Prise pour enceinte. Assurez-vous que l'interrupteur d'impédance est positionné en fonction de l'enceinte branchée. Une mauvaise adaptation d'impédance réduira les performances de votre ampli et peut dans certains cas l'endommager. L'ampli peut fonctionner sans enceinte externe si nécessaire, permettant d'enregistrer silencieusement ou d'utiliser un casque. Lorsqu'aucune enceinte n'est branchée, une charge interne est appliquée, protégeant ainsi le transfo de sortie et émulant l'effet d'une charge avec un haut-parleur. Si aucune enceinte n'est utilisée, assurez-vous que son câble est débranché de l'ampli.

## INTERFACE USB POUR PC, MAC et IPAD

### Options de l'interface USB :

- USB 2.0 bidirectionnelle pour PC, Mac, iPad, etc.
- Enregistrement de la sortie de l'ampli avec ou sans enceinte branchée.
- Enregistrement simultané du signal original de la guitare pour un traitement ultérieur ou Re-amping.
- Piste guitare Re-amp modifie les réglages à la demande.
- Piste guitare Re-amp avec pédales d'effets externes si nécessaire.
- Ajoute la chaleur des amplis à lampes aux pistes numériques de guitare avec ou sans enceinte branchée.

### Enregistrement par l'USB

Le branchement sur iPad et iPad Mini se fait via un adaptateur Caméra USB et sur le PC/Mac via un câble USB A-B. Les logiciels seront Garage Band®, Audacity®, MixPad Audio Mixer®, Pro Tools ou assimilés. Il faut noter que la sortie audio de l'iPad ou l'iPad Mini est déconnectée et renvoyée pas l'USB. Elle peut être récupérée par un switch moniteur du panneau arrière de l'ampli casque en stéréo ou, si nécessaire, redirigée vers une table de mixage ou enceinte active. La sortie DI est située juste après l'émulation enceinte de l'ampli mais possède un interrupteur pour permettre une sortie non émulée dans le cas d'une émulation post numérique par exemple. Un contrôle de niveau envoie le signal émulé sur la sortie casque et ligne.

### Fonction Re-Amp

Pendant l'enregistrement, le signal modifié de l'ampli est envoyé sur la piste droite et le signal original de la guitare sur la piste gauche. Sur un iPad utilisant Garage Band, lorsque la piste est enregistrée en stéréo, les deux signaux, originaux et modifiés, sont disponibles simultanément s'ils sont déplacés l'un à gauche et l'autre à droite.

Ceci permet d'éviter de ré-amplifier un son ayant été déjà modifié. Pour ré-amplifier avec Garage Band sur l'iPad, jouez la piste originale et enregistrez une nouvelle piste avec la boucle en place depuis la sortie Re-Amp à l'arrière vers l'entrée Guitare à l'avant. Le nouveau signal modifié apparaît alors sur la piste droite tout en conservant le signal original sur la piste gauche. D'autres effets peuvent être ajoutés dans la boucle mais le signal original de la guitare ne sera pas enregistré. Le son sortant directement après les effets sans l'amplification sera enregistré sur la piste gauche et le signal complet avec effets à la sortie de l'ampli sera enregistré sur la piste droite.

*Note : Le signal modifié peut être émulé ou non suivant la position de l'interrupteur Emulation à l'arrière.*

Branchez votre enregistreur (PC/MAC ou iPad) avec le câble USB adéquat.

Votre ampli va envoyer deux pistes vers votre enregistreur :

- Piste gauche : signal original de votre guitare (qui pourra être ré-utilisé plus tard pour le "re-amping")
- Piste droite : signal amplifié et modifié

Suivant votre logiciel, vous pouvez séparer ces deux pistes de différentes façons. Le niveau du signal de la piste gauche envoyée vers l'enregistreur, peut être ajusté avec le contrôle du panneau arrière.

Le niveau de la piste droite est contrôlé par les contrôles de volume de l'IRT-Studio.

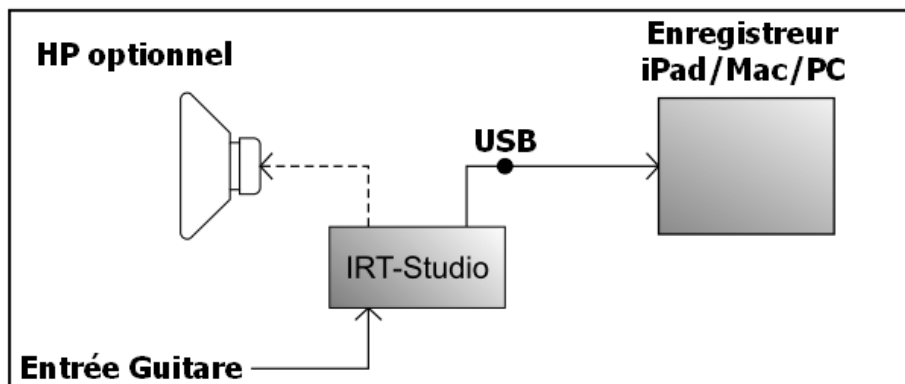
Le signal modifié envoyé sur la piste droite peut être émulé ou non grâce à l'interrupteur Emulation.

Note : cet interrupteur affecte aussi le signal envoyé par la prise DI.



→ Astuce : Enregistrez les signaux gauche et droite sur deux pistes séparées pour avoir plus de flexibilité.

Vous pouvez effectuer toutes ces opérations sans brancher d'enceinte sur votre ampli. Cependant, l'ajout d'une enceinte peut, dans certains cas, donner plus de dynamisme mécanique au son enregistré.



**IRT-STUDIO – "Re-Amping"**

Branchez le câble USB comme pour l'enregistrement.

Branchez ensuite un câble guitare blindé de bonne qualité depuis la prise Re-Amp du panneau arrière vers la prise Input du panneau avant.

→ Astuce : tirez ce câble autour de l'ampli dans le sens inverse des aiguilles d'une montre pour minimiser l'influence du transformateur d'alimentation.

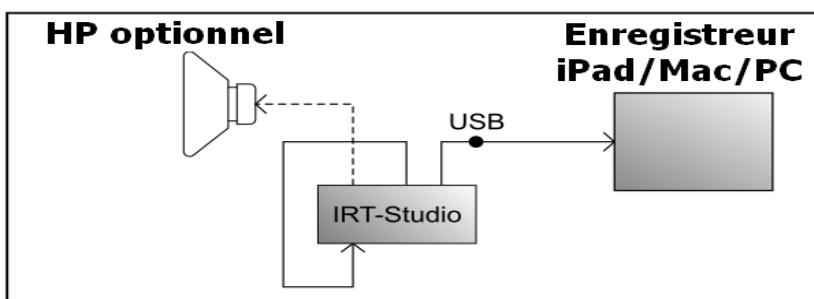
Écoutez le signal original de votre guitare sur votre enregistreur.

→ Astuce : pour obtenir le meilleur rapport signal/bruit, ajustez le contrôle Send au plus haut sans avoir de distorsion.

Démarrez votre enregistreur. La piste en cours est envoyée vers l'entrée de l'ampli et le signal modifié est alors enregistré depuis la sortie de l'ampli. Vous pouvez ajuster les contrôles de l'ampli pour obtenir le son désiré.

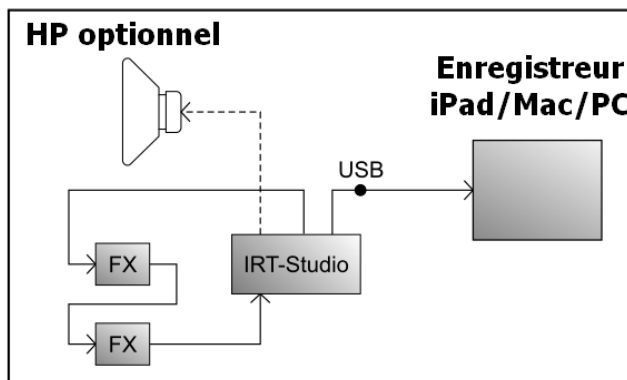
Vous avez alors la piste originale, ainsi que la nouvelle version modifiée.

→ Astuce : Assurez-vous que le signal de sortie soit envoyé sur la piste gauche ou sur les deux, gauche et droite.



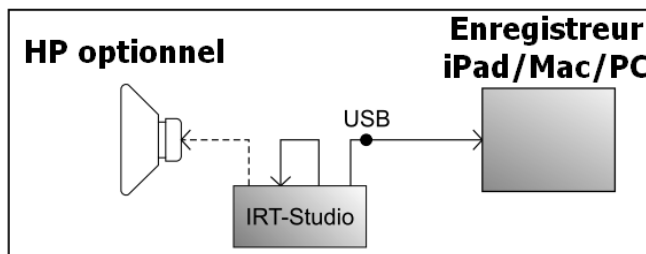
**IRT-STUDIO USB - "Re-Amping" avec pédales d'effets supplémentaires :**

Procédez de même que pour le "Re-Amping" sauf que dans ce cas, insérez les pédales d'effet entre la prise Re-Amp et la prise Input. La piste gauche contiendra le signal original de la guitare avec les effets en plus. La piste droite contiendra le même son mais modifié par l'ampli IRT.



**IRT-STUDIO USB – Son chaud des lampes de puissance**

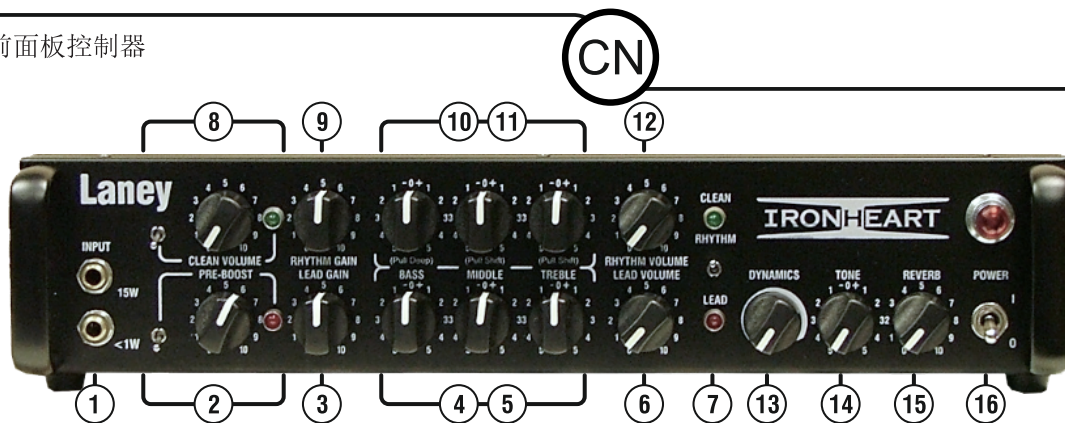
Procédez de même que pour le "Re-Amping" sauf que dans ce cas, branchez le câble depuis la prise Re-Amp vers la prise FX Return sur le panneau arrière (positionnez l'interrupteur FX sur OdB). Dans cette configuration, les contrôles Dynamics/Tone et Reverb seront opérationnels. Ceci peut être fait avec ou sans enceinte branchée avec différents résultats.



→ Astuce : Si une enceinte est branchée, l'option 15W peut être activée en branchant un Jack non utilisé dans la prise Input 15W du panneau avant.

→ Astuce : Sans enceinte branchée, l'ampli passe automatiquement en fonctionnement <1W quelque soit le Jack d'entrée utilisé.

## 前面板控制器



- ① 15W输入：单声道插座。请将吉他连接于此处以获得最大音量输出。仅可使用优质吉他连接线。  
② <1W输入：单声道插座。在此处连接吉他，将输出级调至1W以下。这可使您在室内用更大的输入音量级去驱动输出级。  
注意：两个插座不可同时使用。

- ② 预提升开关(前级激励器开关)：开启或关闭输入提升(激励器)。预提升电路(激励器)增强输入信号至预放大器电子管，就像在信号通道中植入了一个提升脚踏器。这将更大地驱动预放大器电子管，产生更多失真效果。开关掷下控制功能启用。  
预提升控制(前级激励器控制)：应用于控制吉他信号的提升等级。  
预提升LED(前级激励器LED)：预提升控制(前级激励器)激活时，该LED会亮起。

- ③ 主通道增益：控制主通道上的预放大器的失真等级。顺时针旋转该控制器，增加吉他信号失真效果，从轻柔音色逐渐到全金属。如将主音量控制至“6”以获得正确的音量及所需失真等级。如主音量控制在“6”以下，可获得预放大器的失真。将音量控制在“6”以上可逐步增加功率放大器的失真。

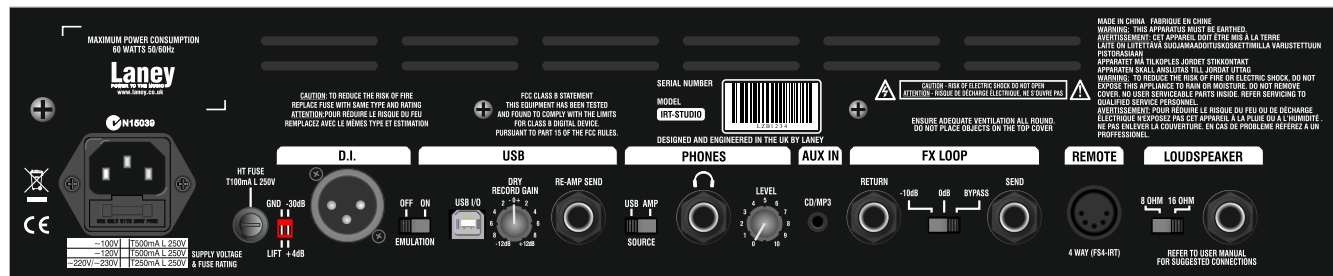
- ④ 主通道均衡控制器：它是传统的无源音调控制器组合。无源控制器的优点在于其独特的互动特点，可在任意设置下，提供理想的音效。此为演奏者提供了一组更自然的选项，从而创造他们理想的，独特的音效。将它中置为“0”作为较好起点。

- ⑤ 主通道均衡可拉式开关：拉动并旋转各均衡器控制钮，调节如下：
- 低频：Deep – 它是扩大低频响应的范围，从而在低频得到更完整、更沉重的音效。
  - 中频：Shift – 它是降低中频响应的范围，从而在中频得到更紧凑的音效。
  - 高频：Shift – 它是扩大高频响应的范围，从而在高频得到更圆润的音效，尤其是当用于尖细的拾音器的声音时。

- 6 主音量：控制主通道的音量。采用不同的驱动器和音量控制器组合调整，以实现不同的声音。降低驱动的同时增加音量，由于功率放大器被更大的音量驱动，将产生柔和、空旷及驱动失真音效；而降低音量并增加驱动，将产生更紧凑、现代，且具有更多失真效果的音效。设置好后，尽量用吉他音量控制器调节音调和失真等级。在学习练习阶段，采用低功率输入插座以更大地推动输出级（设置为7-10）。
- 7 通道开关与LEDs：在主通道与纯音/节奏通道间切换。LED指示当前工作的通道。
- 8 纯音/节奏开关&LED：此开关启动纯音模式下节奏通道。操作时，纯音音量控制被启动，而节奏增益控制③和节奏音量 将从信号通路断开。当使用纯音模式时，预放大器增益会被降低，导致产生一个更清纯的音调。
- LED指示纯音模式被启动。
- 纯音（clean）音量：在纯音模式下，用它来控制功率放大器音量。将控制器顺时针旋至最大，它仍可以增加控制放大器，并且可以通过使用预提升增强控制。
- 9 节奏增益：同主通道增益③
- 10 纯音/节奏均衡控制器：同主通道均衡控制器④。
- 11 纯音/节奏均衡器可拉式开关：同主通道均衡器可拉式开关⑤。
- 12 节奏音量：同主音量⑥。
- 13 力度（动态）：在较低频率下控制功率放大器宽松与紧凑的响应。顺时针旋转该控制器以形成较宽松的低端设置，反之在低端将产生更紧凑的响应。最佳设置取决于使用中的扬声器箱或音量等级。
- 14 音调（音色）：该音调（音色）控制器工作方式除了在另一端的独特的放大器以外，与您的吉他器上很相似。它不仅能控制整个高端响应，还能减少输出级和预放大器尖峰上的高次谐波。这将在高端设定时“+”为您带来清脆的金属质感声音，在低端设定时“-”带来流畅圆滑的音效。中置“0”为较好起点。
- 15 混响：内置Laney设计的专业数字混响器。
- 16 电源开关：这是主电源开关。一般情况下，电子管功率放大器须用30秒至2分钟预热，并在开启后进行工作。打开电源，将开关拨至“1”（向上）。
- 电源灯：当电源开关运行时，此灯亮，表示功率放大器内已有电源。

## 后面板控制器

CN



备用熔断器  
位于熔断器座内。

- ① 电源输入插座 – 电源熔断器：确保后面板上显示的电压为当前您所在国家允许的电压！该熔断器座装有该电器的主要安全熔断器。熔断器可保护功率放大器，避免其被异常断开电源时，因发生故障而受到损坏。
- ② 高压电路熔断器：发生故障时，该熔断器将高压直流电源从功率放大器内部的电子管断开。更换熔断器 – 仅可使用面板上指定的正确尺寸和额定值。使用额定电流过大的熔断器可能对功率放大器产生严重、不可修复的损害，严重的将造成火灾。熔断器额定值在该手册章节中有详细说明，并印于功率放大器后部。熔断器被设计用于保护电器，请勿冒险改变参数。
- ③ DI(直接输入)：使用该插座将功率放大器连接至PA系统或录音接口。该插座可切换扬声器模拟与扬声器类似的方式形成音调，从而对整个吉他 – 功放 – 扬声器系统进行类似复制。插座具有完全平衡输出，(可切换+4dB/-30dB & 接地)为了最大程度地减少噪音。扬声器插座Ⓣ未使用时，由于应用了保护负载，用户可使用该插座进行录音，且无需连接扬声器，进行静音录音。

提示

(使用+4dB连接有源监听箱。使用-30dB的调音台输入，以避免噪声和过载。)

8

USB：录音重放连接器，（未处理的声音在左通道，经处理的声音在右通道）。USB2.0兼容于Windows XP®操作系统、Windows 7®操作系统和Windows 8®操作系统 并通过相机USB适配器与Mac®和iPad®1-3兼容、通过Lightning-USB相机适配器与iPad® 4和iPad Mini®兼容。

4

- 将未处理的信号控制在+12dB增益送去录音是最佳的电平。
- 重放输出插孔允许输入未处理返回信号输入。它可以是USB插孔连接到放大器的输入端的信号。

5

耳机：该立体声插孔用于耳机监听，或DI输出。该插孔具有类似于模拟电路的DI输出。当用耳机时，确保电平设置到最小，然后将其增大至舒适水平。使用源开关(Source switch)，USB或功率放大器可以被监控。

6

音频信号输入：3.5mm立体声线路输入用于连接CD或MP3播放器，作为播放或回放的音轨。通过CD/MP3播放器上的音量控制器来控制输入平。该输入是DI插孔③及耳机插孔⑤，而不是FX发送插孔⑦。

FX返回：单声道插座用于连接外部FX(附加)设备的输出。其还可用作功率放大器的辅助设备。由于FX环为插入类型，它将使预放大器信号为音。

FX环开关：选择FX环的操作模式：

7

- -10dBu -用于-10dBu标称输出电平与FX设备的连接。它用于具有较低输出电平的设备，该开关将使FX环的增益增加10dB。
- 0 dBu -用于0dBu标称输出与FX设备的连接
- 旁路 -将FX环从信号通路处移开(短接)。

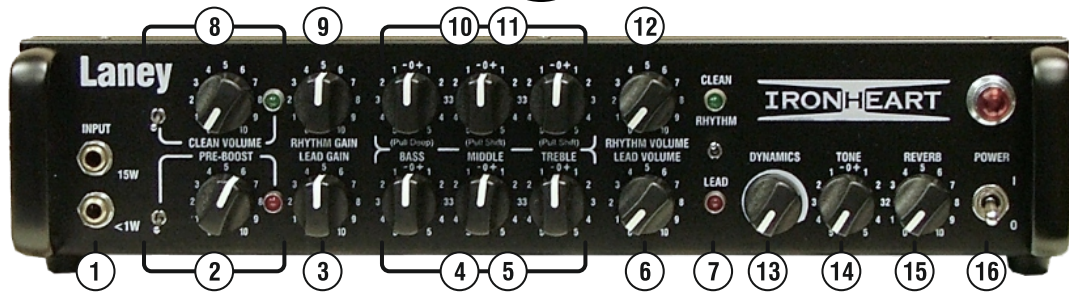
FX发送：单声道插座用于连接外部FX装置的输入。

8

脚踏开关插座：用提供的5芯DIN线缆连接附件FS4-IRT(脚踏器单元)于此处。您可对以下功能进行远程控制：通道、纯音、混响和预提升。为了正确操作此功能，将预提升和纯音设为开，并将通道设为主通道。

9

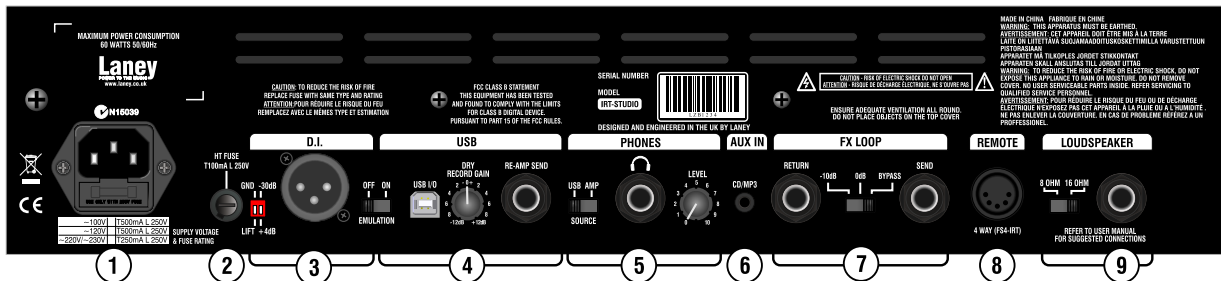
扬声器连接：将扬声器连接至此处。确保阻抗开关正确，并与在使用的扬声器箱的阻抗匹配。扬声器阻抗不匹配将降低功率放大器的性能，在极端情况下可能损坏设备。如果需要的话，本产品在无扬声器的情况下运行，可用于静音录制，或使用耳机监听。当扬声器插座未使用时，它内部接有负载，以保护输出变压器，它模拟其加载扬声器的效果。如果不使用扬声器，确保扬声器线缆已从功率放大器移走。



- 15W INPUT:** Conector mono. Conecte sua guitarra aqui para obter volume total de saída. Use somente cabos de guitarra de qualidade. <1W INPUT: Conector mono. Conectar sua guitarra aqui muda o estágio de saída para menos de 1W. Isto permite saturar o estágio de saída em níveis baixos de volume para praticar em seu quarto. Nota: Os conectores não devem ser usados simultaneamente.
- CHAVE PRE BOOST:** Liga e desliga o circuito Pre Boost de entrada. Pre Boost aumenta o sinal de entrada para as válvulas do pré-amplificador, assim como quando um pedal de boost é colocado no caminho de sinal. Isto satura mais as válvulas do pré-amplificador, resultando em mais distorção. Isto funciona em todos os canais. CONTROLE PRE BOOST: Controla o nível de Pre Boost aplicado ao som da guitarra. LED PRE BOOST: Este LED acende quando os controles Pre Boost estão ativos.
- LEAD GAIN:** Controla o nível de distorção de pré-amplificador no canal Lead. Girar este controle em sentido horário adiciona mais distorção ao sinal da guitarra, de um overdrive leve a metal total. Use isto em conjunto com o controle Lead Volume (6) para obter os níveis de volume e distorção corretos que você deseja. Com o controle abaixo de 6, você obtém somente distorção do pré-amplificador. Girar o controle além de 6 adiciona progressivamente distorção do amplificador de potência.
- CONTROLES LEAD EQ:** Este é um conjunto de controles passivos tradicionais. Controles passivos possuem a vantagem de soar sempre musicais em qualquer ajuste, devido a sua natureza interativa única. Isto dá ao músico um conjunto mais natural de ferramentas para dar forma ao som ideal. Ajuste estes em suas posições centrais (0) para um bom ponto de início.
- CHAVES LEAD EQ:** Puxar cada um destes knobs de EQ muda a resposta de cada controle como segue: Bass: Deep - Isto estende a resposta de frequências graves, resultando em um som mais cheio e pesado para as notas graves. Mid: Shift - Isto diminui a extensão de frequências do controle Mid para proporcionar um som mais preciso. Treble: Shift - Isto amplia a resposta de frequências do controle Treble, para proporcionar um som mais arredondado para as notas agudas, especialmente ao usar com captadores de sonoridade magra
- LEAD VOLUME:** Controla o volume do canal Lead. Experimente com diferentes combinações entre os controles Drive e Volume para obter sons diferentes. Reduzir o Drive e aumentar o Volume resulta em um som de overdrive quente e aberto, pois o pré-amplificador é saturado, enquanto que reduzir o Volume e aumentar o Drive proporciona um som mais moderno e preciso com mais distorção. Uma vez ajustados, experimente usar o controle de volume em sua guitarra para ajustar o timbre e a distorção. Use o conector de entrada Low para saturar no estágio de saída (ajustes 7-10) em níveis mais baixos para praticar.
- CHAVE E LEDS DE CANAL:** Troca entre os canais Lead e Clean/Rhythm. Os Leds Indicam qual canal está selecionado.
- CHAVE E LED CLEAN/RHYTHM:** se torna ativo, enquanto que os controles Rhythm Gain (9) e Rhythm Volume (12) são removidos do caminho de sinal. Ao usar o modo Clean, o ganho do pré-amplificador é reduzido, resultando em um timbre mais limpo. O LED indica que o modo Clean está ativo.
- RHYTHM GAIN:** Igual a Lead Gain (3).
- CONTROLES CLEAN/RHYTHM EQ:** Igual a Controles Lead EQ (4).
- CHAVES CLEAN/RHYTHM EQ:** Igual a Chaves Lead EQ (5).
- RHYTHM VOLUME:** Igual a Lead Volume (6).
- DYNAMICS:** Isto permite controle sobre a resposta do amplificador em baixas frequências. Girar este controle em sentido horário proporciona graves mais soltos, enquanto que ajustes mais baixos proporcionam uma resposta mais precisa. O ajuste otimizado depende do gabinete de falantes usado.
- STONE:** Este controle Tone funciona de forma similar ao controle Tone que você tem em sua guitarra, exceto pelo fato de que funciona no outro lado da cadeia de som. Este controle possui a habilidade de controlar não somente a resposta de agudos geral, mas também de reduzir harmônicos agudos do estágio de saída e dos sons de overdrive do pré-amplificador. Isto proporciona sons brilhantes e definidos em ajustes altos e sons arredondados e suaves em ajustes baixos. A posição central (0) é um bom ponto de início.
- REVERB:** Controla o nível do reverb digital interno desenhado pela Laney.
- CHAVE DE ENERGIA:** Chave de energia principal para a unidade. Amplificadores valvulados levam de 30 segundos a 2 minutos para aquecer e estarem prontos para tocar, isto é normal. Para ligar, mova a chave para a posição I (para cima).

**LÂMPADA DE ENERGIA:** Acende quando a chave de energia é operada, indicando a presença de energia no amplificador.

CONTROLES DO PAINEL TRASEIRO



Fusível de reserva localizado na gaveta de fusíveis.

- SOQUETE DE ENERGIA PRINCIPAL / FUSÍVEL:** Certifique-se de que a voltagem indicada no painel traseiro está correta para o seu país! Esta gaveta contém o fusível de segurança principal para a unidade. O fusível protege a unidade de danos no evento de uma falha ao desconectar o fornecimento principal de energia.
- FUSÍVEL HT:** Este fusível desconecta a energia DC de alta voltagem para as válvulas no interior do amplificador no evento de uma falha. Substituindo fusíveis - USE SOMENTE FUSÍVEIS DE ACORDO COM O TAMANHO E RAZÃO ESPECIFICADOS NO PAINEL. Usar um fusível muito grande em razão de corrente pode causar sérios danos irreparáveis ao amplificador e apresenta um sério risco de incêndio. As razões corretas de fusíveis estão na seção Especificações deste manual, e também impressas na traseira do amplificador. Fusíveis são desenhados para proteger, não corra riscos.
- DI:** Use este conector para conectar seu amplificador a um sistema de PA ou interface de gravação. O conector possui simulação de falantes para dar forma ao timbre da mesma forma que os falantes, permitindo a reprodução do sistema Guitarra - Amplificador - Falantes inteiro. Este conector é de saída balanceada (chaveável entre +4dB e -30dB com Ground Lift) para máxima redução de ruído. Você pode usar esta saída sem os falantes para gravar silenciosamente, pois existe uma carga de proteção aplicada quando o conector de falantes (9) não é usado. DICA: Use +4dB para conectar gabinetes de falantes amplificados, use -30dB para evitar ruído e sobrecarga para entradas em mixers de gravação
- USB:** Conector de gravação e reprodução, (Sinal limpo no canal esquerdo, sinal processado no canal direito). USB2.0 é compatível com os sistemas Windows XP, Windows 7, e Windows 8. Também é compatível com Mac, iPad 1-3 através de adaptador USB, iPad 4 e iPad Mini através de adaptador Lightning-USB.
  - Envia desin limpo com controle de nível +/- 12dB para otimizar níveis de gravação.
  - Conector de saída Re-Amp que permite que o sinal de retorno Dry de USB seja conectado através de um cabo para a entrada do amplificador.
- PHONES:** Use este conector esteve para praticar com fones de ouvido, ou se você deseja uma saída DI. Este conector apresenta um circuito de simulação similar ao da saída DI. Ao usar fones, assegure-se de que Level está ajustado ao mínimo e então aumente para um nível confortável. Ao usar a chave Source, USB ou amplificador podem ser monitorados.
- AUX IN:** Conector estéreo de 3.5mm para conexão de um CD/MP3 Player como trilha de acompanhamento. Controle o nível de entrada usando o controle de volume de seu CD/MP3 Player. Esta entrada está presente nos conectores DI e Headphones, mas não no conector FX Send.
- FX RETURN:** Conector mono para conexão da saída de uma unidade externa de efeitos. Isto pode também ser usado como entrada slave para o amplificador de potência. Como FX Loop é do tipo Insert, isto silencia o sinal do pré-amplificador.
  - CHAVE FX LOOP: Seleciona o modo de operação de FX Loop.
  - 10dBu - Para conexão de unidades de efeito de nível de saída nominal de 10dBu. Como isto é direcionado para dispositivos com nível baixo de saída, esta chave aumenta o ganho do FX Loop em 10dB.
  - 0 dBu - Para conexão de unidades de efeito de nível de saída nominal de 0dBu.
  - Bypass - Remove o FX Loop do caminho do sinal. FX SEND: Conector mono para conexão à entrada de uma unidade externa de efeitos.
- CONECTOR FOOTSWITCH:** Conecte aqui o FS4-IRT fornecido, usando o cabo DIN de 5 pinos fornecido. Isto permite controlar as seguintes funções: Canal, Clean, Reverb, e Boost. Para operar as funções corretamente, ajuste Pre-Boost e Clean em ON, e Channel em Lead.
- CONECTORES DE FALANTES:** Conecte aqui seus falantes. Assegure-se de que a chave de impedância está ajustada corretamente para os gabinetes usados. Desigualar sua impedância de falantes reduz a performance de seu amplificador, e em casos extremos pode danificar a unidade. A unidade pode ser operada sem falantes se desejado, permitindo gravar silenciosamente, ou usar fones para praticar. Quando o conector de falantes não é usado, uma carga interna é aplicada, protegendo o transformador de saída, e simulando o efeito de carga com um falante. Se não serão usados falantes, assegure-



**USER MANUAL**

# **SAFETY INFORMATION**

**WWW.LANEY.CO.UK**

**DESIGNED & ENGINEERED IN THE UK BY LANEY**



In order to take full advantage of your new product and enjoy long and trouble-free performance, please read this owner's manual carefully, and keep it in a safe place for future reference.

**1) Unpacking:** On unpacking your product please check carefully for any signs of damage that may have occurred whilst in transit from the Laney factory to your dealer. In the unlikely event that there has been damage, please re-pack your unit in its original carton and consult your dealer. We strongly advise you to keep your original transit carton, since in the unlikely event that your unit should develop a fault, you will be able to return it to you dealer for rectification securely packed.

**2) Amplifier Connection:** In order to avoid damage, it is advisable to establish and follow a pattern for turning on and off your system. With all system parts connected, turn on source equipment, tape decks, cd players, mixers, effects processors etc, BEFORE turning on your amplifier. Many products have large transient surges at turn on and off which can cause damage to your speakers. By turning on your bass amplifier LAST and making sure its level control is set to a minimum, any transients from other equipment should not reach your loud speakers. Wait till all system parts have stabilised, usually a couple of seconds. Similarly when turning off your system always turn down the level controls on your bass amplifier and then turn off its power before turning off other equipment

**3) Cables:** Never use shielded or microphone cable for any speaker connections as this will not be substantial enough to handle the amplifier load and could cause damage to your complete system.

**4) Servicing:** The user should not attempt to service these products. Refer all servicing to qualified service personnel.

## FCC COMPLIANCY STATEMENT



This device complies with Part 15 of the FCC rules Operation is subject to the following two conditions:

- 1) This device may not cause harmful interference
- 2) This device must accept any interference received, that may cause undesired operation.

Warning: Changes or modification to the equipment not approved by Laney can void the user's authority to use the equipment.

Note: This equipment has been tested and found to comply with the limits for Class B digital device, pursuant to Part 15 of the FCC Rules. These limits are designed to provide reasonable protection against harmful interference in a residential installation. This equipment generates, uses and can radiate radio frequency energy and if not installed and used in accordance with the instructions, may cause harmful interference to radio communications. However, there is no guarantee that interference will not occur in a particular installation. If this equipment does cause harmful interference to radio or television reception, which can be determined by turning the equipment off and on, the user is encouraged to try and correct the interference by one or more of the following measures.

Reorient or relocate the receiving antenna.

Increase the separation between the equipment and receiver.

Connect the equipment into an outlet on a circuit different from that to which the receiver is connected.

Consult the dealer or an experienced radio/TV technician for help.



This product conforms to the requirements of the following European Regulations, Directives & Rules:

CE Mark (93/68/EEC), Low Voltage (2014/35/EU), EMC (2014/30/EU),

RoHS (2011/65/EU), ErP (2009/125/EU).



In order to reduce environmental damage, at the end of its useful life, this product must not be disposed of along with normal household waste to landfill sites. It must be taken to an approved recycling centre according to the recommendations of the WEEE (Waste Electrical and Electronic Equipment) directive applicable in your country.



**WARNING:** When using electrical products, basic cautions should always be followed, including the following:

1. Read these instructions.
2. Keep these instructions safe.
3. Heed all warnings.
4. Follow all instructions.
5. Do not use this apparatus near water.
6. Clean only with a dry cloth.
7. Do not block any of the ventilation openings. Install in accordance with manufacturer's instructions.
8. Do not install near any heat sources such as radiators, heat registers, stoves or other apparatus (including amplifiers) that produce heat.
9. An apparatus with Class I construction shall be connected to a mains socket outlet with a protective connection. Do not defeat the safety purpose of the polarized or grounding-type plug. A polarized plug has two blades with one wider than the other. A grounding type plug has two blades and a third grounding prong. The wide blade or third prong is provided for your safety. If the provided plug does not fit into your outlet, consult an electrician for replacement of the obsolete outlet.
10. Protect the power cord from being walked on or pinched, particularly at plugs, convenience receptacles, and the point they exit from the apparatus.
11. Only use attachments/accessories provided by the manufacturer.
12. Use only with a cart, stand, tripod, bracket, or table specified by the manufacturer, or sold with the apparatus. When a cart is used, use caution when moving the cart/apparatus combination to avoid injury from tip-over.
13. The mains plug or appliance coupler is used as the disconnect device and shall remain readily operable. The user should allow easy access to any mains plug, mains coupler and mains switch used in conjunction with this unit thus making it readily operable. Unplug this apparatus during lightning storms or when unused for long periods of time.
14. Refer all servicing to qualified service personnel. Servicing is required when the apparatus has been damaged in any way, such as when power-supply cord or plug is damaged, liquid has been spilled or objects have fallen into the apparatus, the apparatus has been exposed to rain or moisture, does not operate normally, or has been dropped.
15. Never break off the ground pin. Connect only to a power supply of the type marked on the unit adjacent to the power supply cord.
16. If this product is to be mounted in an equipment rack, rear support should be provided.
17. Note for UK only: If the colours of the wires in the mains lead of this unit do not correspond with the terminals in your plug, proceed as follows:
  - a) The wire that is coloured green and yellow must be connected to the terminal that is marked by the letter E, the earth symbol, coloured green or coloured green and yellow.
  - b) The wire that is coloured blue must be connected to the terminal that is marked with the letter N or the colour black.
  - c) The wire that is coloured brown must be connected to the terminal that is marked with the letter L or the colour red.
18. This electrical apparatus should not be exposed to dripping or splashing and care should be taken not to place objects containing liquids, such as vases, upon the apparatus.
19. Exposure to extremely high noise levels may cause a permanent hearing loss. Individuals vary considerably in susceptibility to noise-induced hearing loss, but nearly everyone will lose some hearing if exposed to sufficiently intense noise for a sufficient time. The U.S. Government's Occupational Safety and Health Administration (OSHA) has specified the following permissible noise level exposures: According to OSHA, any exposure in excess of the above permissible limits could result in some hearing loss. Earplugs or protectors to the ear canals or over the ears must be worn when operating this amplification system in order to prevent a permanent hearing loss, if exposure is in excess of the limits as set forth above. To ensure against potentially dangerous exposure to high sound pressure levels, it is recommended that all persons exposed to equipment capable of producing high sound pressure levels such as this amplification system be protected by hearing protectors while this unit is in operation.
20. Symbols & nomenclature used on the product and in the product manuals, intended to alert the operator to areas where extra caution may be necessary, are as follows:

Intended to alert the user to the presence of high 'Dangerous Voltage' within the products enclosure that may be sufficient to constitute a risk of electrical shock to persons.

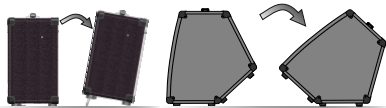


Intended to alert the user of the presence of important operating and maintenance (Servicing) instructions in the literature accompanying the product.

Risk of electrical shock - DO NOT OPEN. To reduce the risk of electrical shock, do not remove the cover. No user serviceable parts inside. Refer servicing to qualified personnel.

To prevent electrical shock or fire hazard, do not expose this appliance to rain or moisture. Before using this appliance please read the operating instructions.

If your appliance features a tilting mechanism or a kickback style cabinet, please use this design feature with caution. Due to the ease with which the amplifier can be moved between straight and tilted back positions, only use the amplifier on a level, stable surface. DO NOT operate the amplifier on a desk, table, shelf or otherwise unsuitable non-stable platform.



## INSTRUCCIONES IMPORTANTES DE SEGURIDAD



**CUIDADO:** Cuando use productos electrónicos, debe tomar precauciones básicas, incluyendo las siguientes:

1. Lea estas instrucciones.
2. Guarde estas instrucciones.
3. Haga caso de todos los consejos.
4. Siga todas las instrucciones.
5. No usar este aparato cerca del agua.
6. Limpiar solamente con un trapo seco.
7. No bloquear ninguna de las salidas de ventilación. Instalar de acuerdo a las instrucciones del fabricante.
8. No instalar cerca de ninguna fuente de calor como radiadores, estufas, hornos u otros aparatos (incluyendo amplificadores) que produzcan calor.
9. Un aparato con la construcción de clase I deberá conectarse a una toma de corriente que disponga una conexión con protección. No retire la patilla protectora del enchufe polarizado o con conexión a tierra. Un enchufe polarizado tiene dos clavijas, una más ancha que la otra. Un enchufe con toma de tierra tiene dos clavijas y un tercer diente de tierra. La clavija ancha (la tercera) se proporciona para su seguridad. Si el enchufe proporcionado no encaja en su toma de red, consúltelo a un electricista para que se reemplace por la obsoleta.
10. Proteja el cable de alimentación para que no sea pisado o pinchado, particularmente en los enchufes, habitáculos y el punto de salida del aparato.
11. Usar solamente componentes y accesorios proporcionados por el fabricante.
12. Usar solamente un carro, pie, trípode, o soporte especificado por el fabricante, o vendido junto al aparato. Cuando se use un carro, tenga cuidado al mover el conjunto carro/aparato para evitar que se dañe en un vuelco.
13. El cable de alimentación o conector del aparato se usa como dispositivo de desconexión y debe permanecer accesible. El usuario debe permitir un acceso fácil a cualquier entrada principal, interruptor haciéndolo así más operativo. Desenchufe este aparato durante tormentas eléctricas o cuando no se use en largos periodos de tiempo.
14. Para cualquier reparación, acuda a personal de servicio cualificado. Se requieren reparaciones cuando el aparato ha sido dañado de alguna manera, como cuando el cable de alimentación o el enchufe se han dañado, algún líquido ha sido derramado o algún objeto ha caído dentro del aparato, el aparato ha sido expuesto a la lluvia o la humedad, no funciona de manera normal, o ha sufrido una caída.
15. Nunca retire la patilla de Tierra. Conecte el aparato sólo a una fuente de alimentación del tipo marcado al lado del cable de alimentación.
16. Si este producto va a ser instalado en una unidad de rack, use algún tipo de apoyo trasero.
17. Nota para el Reino Unido solamente: Si los colores de los cables en el enchufe principal de esta unidad no corresponden con los terminales en su enchufe, proceda de la siguiente manera:
  - a) El cable de color verde y azul debe ser conectado al terminal que está marcado con la letra E, el símbolo de Tierra (earth), coloreado en verde o en verde y amarillo.
  - b) El cable coloreado en azul debe ser conectado al terminal que está marcado con la letra N o el color negro.
  - c) El cable coloreado en marrón debe ser conectado al terminal que está marcado con la letra L o el color rojo.
18. Este aparato eléctrico no debe ser sometido a ningún tipo de goteo o salpicadura y se debe tener cuidado para no poner objetos que contengan líquidos, como vasos, sobre el aparato.
19. La exposición a altos niveles de ruido puede causar una pérdida permanente en la audición. La susceptibilidad a la pérdida de audición provocada por el ruido varía según la persona, pero casi todo el mundo perderá algo de audición si se expone a un nivel de ruido suficientemente intenso durante un tiempo determinado. El Departamento para la Salud y para la Seguridad del Gobierno de los Estados Unidos (OSHA) ha especificado las siguientes exposiciones al ruido permisibles:  
De acuerdo al OSHA, cualquier exposición que exceda los límites arriba indicados puede producir algún tipo de pérdida en la audición. Protectores para los canales auditivos o tapones para los oídos deben ser usados cuando se opere con este sistema de sonido para prevenir una pérdida permanente en la audición, si la exposición excede los límites indicados más arriba. Para protegerse de una exposición a altos niveles de sonido potencialmente peligrosa, se recomienda que todas las personas expuestas a equipamiento capaz de producir altos niveles de presión sonora, tales como este sistema de amplificación, se encuentren protegidas por protectores auditivos mientras esta unidad esté operando.
20. Símbolos y nomenclatura utilizada en el producto y en los manuales de producto, destinado a alertar al usuario de las áreas donde la precaución adicional pueden ser necesarias, son las siguientes:

Duración por Día en Horas	Nivel de Sonido dBA, Respuesta Lenta
8	90
6	92
4	95
3	97
2	100
1 1/2	102
1	105
1/2	110
1/4 ou inférieur	115



La intención de alertar al usuario de la presencia de "tensión peligrosa" alto dentro del recinto los productos puede ser suficiente para constituir un riesgo de descarga eléctrica para las personas.

La intención de alertar al usuario de la presencia de importantes de operación y mantenimiento (servicio) en la literatura que acompaña al producto.

Riesgo de choque eléctrico - NO ABRIR. Para reducir el riesgo de descarga eléctrica, no retire la cubierta. No hay piezas que el usuario pueda reparar. Solicite la revisión al personal cualificado.

Para evitar descargas eléctricas o incendios, no exponga este aparato a la lluvia ni a la humedad. Antes de usar este aparato, por favor lea las instrucciones de funcionamiento.

Si el aparato cuenta con un mecanismo de inclinación o un gabinete estilo de contragolpe, por favor use esta característica con precaución. Debido a la facilidad con que puede ser que el amplificador se mueva entre las posiciones recta e inclinada, utilice sólo el amplificador sobre una superficie nivelada y estable. NO haga funcionar el amplificador en un escritorio, mesa, estantería o plataforma no estable o no apta.

## CONSIGNES DE SÉCURITÉ IMPORTANTES



ATTENTION: L'utilisation de tout appareil électrique doit être soumise aux précautions d'usage incluant:

1. Lisez ces instructions
2. Gardez ce manuel pour de futures références.
3. Prêtez attention aux messages de précautions de ce manuel.
4. Suivez ces instructions.
5. N'utilisez pas cet appareil à proximité de plans d'eau.
6. N'utilisez qu'un tissu sec pour le nettoyage de votre appareil.
7. N'obstruez pas les systèmes de refroidissement de votre appareil et installez votre appareil en fonction des instructions de ce manuel.
8. Ne positionnez pas votre appareil à proximité de toute source de chaleur.
9. Un appareil avec la construction de la classe I sera relié à une prise munie d'une liaison à la terre. Branchez toujours votre appareil sur une alimentation munie de prise de terre utilisant le cordon d'alimentation fourni.
10. Protégez les connecteurs de votre appareil et positionnez les câblages pour éviter toutes déconnexions accidentelles.
11. N'utilisez que des fixations approuvées par le fabricant.
12. Lors de l'utilisation sur pied ou perche de support, assurez dans le cas de déplacement de l'ensemble enceinte/support de prévenir tout basculement intempestif de celui-ci.
13. La fiche secteur est utilisée pour couper l'alimentation de l'appareil et doit rester facilement accessible. Débranchez cet appareil pendant les orages ou s'il est inutilisé pendant de longues périodes.
14. Seul un technicien agréé par le fabricant est à même de réparer/contrôler votre appareil. Celui-ci doit être contrôlé s'il a subi des dommages de manipulation, d'utilisation ou de stockage (humidité, ...).
15. Ne déconnectez jamais la prise de terre de votre appareil.
16. Si votre appareil est destiné à être monté en rack, des supports arrière doivent être utilisés.
17. Note pour le Royaume-Uni : Si les couleurs des fils du câble d'alimentation ne correspondent pas aux fiches de la prise secteur, procédez comme suit:
  - a) Le fil vert et jaune doit être branché sur la borne repérée par la lettre E, ou le symbole de terre, ou par les couleurs vert ou verte et jaune.
  - b) Le fil bleu doit être branché sur la borne repérée par la lettre N, ou par la couleur noire.
  - c) Le fil marron doit être branché sur la borne repérée par la lettre L, ou par la couleur rouge.
18. Cet équipement électrique ne doit en aucun cas être en contact avec un quelconque liquide et aucun objet contenant un liquide, tels qu'un vase ou autre récipient.
19. Une exposition à de hauts niveaux sonores peut entraîner des dommages irréversibles de l'audition. La sensibilité au bruit varie considérablement d'un individu à l'autre, mais la majorité de la population ressentira une perte d'audition après une exposition à une forte puissance sonore pendant une durée prolongée.  
L'organisme de la santé américaine (OSHA) a produit le guide ci-dessous en rapport à l'exposition autorisée aux niveaux de bruit : D'après les études menées par l'OSHA, toute exposition au-delà des limites décrites ci-dessous entraînera des pertes de audition chez la plupart des sujets. Le port de système de protection (casque, oreillette de filtrage, etc...) doit être observé lors de l'utilisation de cet appareil sans quoi des dommages irréversibles peuvent être occasionnés. Le port de ces systèmes doit être observé par toutes personnes susceptibles d'être exposées à des conditions au-delà des limites décrites ci-dessous.
20. Symboles utilisés sur les produits et dans les manuels des produits, destinés à alerter l'opérateur des zones ou des précautions supplémentaires pouvant être nécessaires :

Durée par Jour (heures)	Niveau sonore moyen (dBA)
8	90
6	92
4	95
3	97
2	100
1 1/2	102
1	105
1/2	110
1/4 ou inférieur	115

Ce symbole est utilisé pour prévenir l'utilisateur de la présence d'une tension non isolée dangereuse à l'intérieur du boîtier de l'appareil, et pouvant être suffisante pour constituer un risque de choc électrique.

Ce symbole est utilisé pour prévenir l'utilisateur de la présence d'instructions d'utilisation et de maintenance dans le mode d'emploi accompagnant l'appareil.

Risque de choc électrique – NE PAS OUVRI R Afin de réduire le risque de choc électrique, ne pas ouvrir le capot. Il n'y a aucune pièce à l'intérieur pouvant être réparée par l'utilisateur. Veuillez confier la maintenance à un personnel qualifié.

Afin de prévenir tout risque de choc électrique et d'incendie, n'exposez pas cet appareil à la pluie ou à l'humidité. Avant d'utiliser cet appareil, lisez attentivement les instructions d'utilisation de ce mode d'emploi.

Si votre appareil est équipé d'un mécanisme de basculement ou si son boîtier est conçu comme retour, veuillez utiliser cette caractéristique avec prudence. En raison de la facilité avec laquelle l'amplificateur peut être basculé entre les positions droite et inclinée, utilisez uniquement l'amplificateur sur une surface plane et stable. NE PAS faire fonctionner l'amplificateur sur un bureau, une table, une étagère ou autre plate-forme inappropriée.

## 重要安全说明



警告：使用电器产品时，应始终遵循基本的注意事项，包括以下各项：

1. 阅读这些说明。
2. 确保此类说明放置于安全处。
3. 注意所有警告。
4. 请遵守所有说明。
5. 请勿在近水处使用该电器。
6. 仅可用干布清洁该电器。
7. 请勿堵塞该电器上的任何通风口。根据制造商的说明进行安装。
8. 请勿将该电器安装在靠近热源，如散热器、热风机、炉子或其他发热设备（包括功率放大器）。
9. 与 I 类建筑设备连接时，应连接到带保护的电源插座上。不要忽视极性或接地类型插头的安全作用。极性插头具有两个片状电极，其中一个较宽。接地类型插头具有两个片状电极和第三只接地脚。宽片状电极或第三只接地脚用于保证使用者及电器的安全。如所提供的插头不适用于插座，须请专业人员更换，切勿自行更换电源插座。
10. 保护电源线，不被踩踏或挤压，尤其在插头、插座以及电源线的连接处。
11. 仅可采用制造商提供的附件或配件。
12. 仅可使用制造商指定的、或与该电器一同出售的货车、台架、三脚架、支架或台桌。使用货车，及移动货车/搬运该电器时，须注意，避免倾翻产生损坏。
13. 电源插头或该电器的转接插头，应保持其易操作性。用户应使用该电器匹配的电源插头、连接器和电源开关，应易于操作。在雷雨或长时间不使用时，拔下该电源插头。
14. 当该电器受到任何方式的损坏时，如：电源线或插头被损坏、液体泼溅或物体落入电器内、该电器放置于有雨水或潮湿处、及该电器坠落后，无法正常运行，需进行检修时，必须请有资格认证的维修人员进行维修。
15. 请勿折断电源插头上的接地脚。仅可连接到在插头的片状电极旁边已标注符号的极性上。

每天持续时间 (小时)	噪声程度 (dBA) 限值范围
8	90
6	92
4	95
3	97
2	100
1 1/2	102
1	105
1/2	110
1/4 或更少	115

16. 如此电器须安装在设备架上，应提供后部支架。
17. 仅适用于英国的注意事项。如该电器的电源线中电缆颜色与插头片状电极不相符，请按照以下步骤进行操作：
  - a) 黄绿色电缆须连接至标有字母“E”的电极，为接地符号。颜色为黄绿色或绿色。
  - b) 蓝色电缆须连接至标有字母“N”的电极，颜色为蓝色或黑色。
  - c) 棕色电缆须连接至标有字母“L”的电极，颜色为棕色或红色。
18. 该电器不能放置于有水滴或有水溅出的地方，须注意，不要将盛有液体的容器，如花瓶放在该电器上。
19. 如果人处于极高噪音级中可能会造成永久失聪。每个人受噪音导致听力损害的差异很大。然而若长时间处于极强噪音中，任何人几乎都会造成不同程度的听力损害。美国政府职业安全健康管理局（OSHA）指定了以下允许范围内的噪音级别，见右表：根据 OSHA，任何超出上述允许的极限范围可导致不同程度的听力损害。在运行该电器时，人体处于超出了以上设定的限制，须佩戴耳塞或配备耳朵的保护装置，以防永久性听力损害。为避免可能处于强声压程度的危险，该电器运行时，建议处于强声压程度下的所有人都配备听力保护装置。
20. 用于产品和说明书上的符号和术语是为了提醒操作人员注意需要额外注意的地方，具体如下：

旨在提醒使用者小心产品空箱内的未绝缘“危险电压”，这可能足以对人构成触电危险。



旨在提醒使用者与产品一起提供的说明书中的重要操作和维护（保修）说明。小心触电-不能打开

为了降低触电风险，请不要打开盖子。里面不含任何用户可用的配件。请将维修交于被许可的人员。

为避免触电或火灾，请不要将本产品置于雨中或潮湿环境中。在使用本产品前，请仔细阅读操作说明。



21. 该产品仅适用于海拔2000m以下地区安全使用



该产品仅适用于非热带气候条件下安全使用

如果你的产品是倾斜的结构或是后倾款式的箱体，请小心使用该设计特征。由于功放可以在直立和后倾方式之间转换，请在平坦、牢固的表面使用该产品。请不要在桌子、架子或其它不适合、不牢固的平台上使用该功放。

## 安全上の重要な注意事項

**JP**

電子機器を使用する際は、下記の注意事項に従ってご使用ください。

ご使用前には必ずこの説明書をお読みください。

説明書は大切に保管してください。

すべての注意事項を確認してください。

水などの液体を本体にこぼしたり、内部にかからないように注意してください。

掃除するときは、乾いた布のみを使用してください。

通気孔は絶対に塞がないでください。

ラジエーター、ヒートレジスター、ストーブ等、熱を発生する装置（アンプを含む）

の近くには決して置かないでください。

電源コードは、踏まれたりとはさまれたりしないように注意してください。

メーカーによって供給されたパーツ以外は使用しないでください。

キャスター等は、付属品を使用してください。転倒等の事故がないように十分注意してください。

長時間使用しない時、また雷雨の時などはコンセントを抜いてください。

電源コードやプラグの破損、強い衝撃や、液濡れ等の理由で正常に装置が動作しない場合は、

ご購入店にご相談ください。

激しい騒音環境下では、永続的な難聴を引き起こす可能性があります。

騒音性 難聴への影響度には個人差がありますが、

激しい騒音の中にある一定の期間さらされた場合、

ほとんどの人の聴覚に悪影響を及ぼす可能性があります。米国政府の

労働安全衛生局（OSHA）は、ノイズレベルの許容量（条件）

を定めています： OSHAによると、許容量を超える騒音は、

少なからず難聴に繋がる可能性があります。 このアンプシステムを操作する際、

万が一制限値を超えている場合は、永続的な 難聴を防ぐためにも耳栓などを使用してください。

機材またはマニュアルに記載された記号、及び名称は、ご使用時に注意が必要なものとなります。

下記をご参照ください。

1日の時間数	騒音レベル(dBA) 応答が速い
8	90
6	92
4	95
3	97
2	100
1½	102
1	105
½	110
1/4	それ以下



機材内部には、人に感電する危険性のある“高電圧”が流れている場合があります。

付属の冊子に書かれている操作上、または管理上（サービス上）重要な事項を確認してください。

製品カバーを開けないでください。感電の危険性を減らすためにも、蓋は取り外さないでください。

内部にはユーザーが修理できる部品はありません。資格ある技術者の指示を仰いでください。

感電や火災の危険を防止するため、この装置を雨や湿気にさらさないでください。使用する前には、必ず取扱説明書をお読みください。

（アンプを使用しないときは、スイッチをオフにし、電源コードは抜いてください）

場合は、アプライアンスの機能傾斜機構やキックバック スタイルのキャビネットは、注意してこのデザイン機能を使用してください。

アンプ ストレートと戻って傾斜の位置間で移動できますがしやすさのため、

水平で安定した表面に、アンプのみ使用します。

デスク、テーブル、

棚またはそれ以外の場合に不適切な

nonstable **プラットフォーム上増幅器を**

操作しないでください。



### 중요안전수칙

경고: 전기 제품을 사용하는 경우, 다음과 같은 기본적인 수칙을 항상 준수해야 합니다.

1. 지침을 읽으십시오.
2. 지침을 안전하게 보관하십시오.
3. 모든 경고에 유의하십시오.
4. 모든 지침을 따르십시오.
5. 이 제품을 물 근처에서 사용하지 마십시오.
6. 항상 마른 전으로 청소하십시오.
7. 통풍구를 막지 마십시오. 제조사의 지침에 따라 설치하십시오.
8. 난방기, 열 조절 장치, 스토브 또는 다른 장치(엠프 포함) 등 발열 근처에 설치하지 마십시오.
9. Class I 구조의 제품은 보호 커넥션과 함께 전원 콘센트에 연결해야 합니다. 유극 형 또는 접지 형 플러그의 안전수칙을 준수하십시오. 유극형 플러그는 다른 것보다 넓은 두 개의 날이 있습니다. 접지 형 플러그에는 두 개의 날과 세 번째 접지각이 있습니다. 넓은 날이나 세 번째 접지용 가닥은 사용자의 안전을 위해 제공됩니다. 제공된 플러그가 사용자의 콘센트와 맞지 않는 경우에는 전기 기술자에게 콘센트 교체를 문의하십시오.
10. 특히 플러그, 콘센트 및 기기에서 나오는 곳에서 전원모드가 밝혀거나 고이는 것을 방지하십시오.
11. 제조사가 제공하는 부속 및 액세서리만을 사용하십시오.
12. 제조사가 지정한 카트, 스탠드, 삼각대, 받침대 또는 테이블 그리고 제품과 함께 판매된 것들만 사용하십시오. 카트를 제품과 함께 이동할 때 제품이 뒤집어져 부상을 당하지 않도록 카트 사용시 주의하십시오.
13. 전원 플러그나 기기용 커플러는 분리장치로 사용되며 즉시 작동할 수 있는 상태로 유지해야 합니다. 사용자는 모든 전원 플러그에 쉽게 접근이 가능해야 하며 전원 커플러와 전원 스위치가 이 유닛과 잘 결합하여 쉽게 작동해야 합니다. 전동변거나 정지간 사용하지 않을 경우 장치의 플러그를 뽑으십시오.
14. 자격을 갖춘 서비스 엔지니어에게 모든 서비스를 문의하십시오. 예를 들어 전원 공급 코드나 플러그가 손상되었거나 액체가 제품에 떨어진 경우, 제품에 비 또는 습기에 노출된 경우, 정상적으로 작동하지 않거나 제품을 떨어뜨린 경우에는 서비스가 필요합니다.
15. 그라운드 핀을 억지로 분리하지 마십시오. 전원코드에 인접한 장치에 표시된 유형의 전원에만 연결하십시오.
16. 이 제품을 정비실반에 올릴 경우 뒷면 지지대가 필요합니다.
17. 영구적 위험 노트: 전원 전선의 색상이 사용자 플러그의 터미널과 일치하지 않는다면 다음과 같이 진행하십시오.
  - a) 녹색을 노랑색 와이어에 E라고 적힌 녹색이나 노랑색 터미널과 연결되어야 합니다.
  - 파란색 와이어는 N이라고 적힌 검은색 터미널과 연결되어야 합니다.
  - 갈색 와이어는 L이라고 적힌 빨간색 터미널과 연결되어야 합니다.
18. 이 전기 제품은 습기나 액체에 노출되지 않아야 하며, 액체를 포함하는 곳들과 함께 위치하면 안 됩니다.
19. 상당히 높은 노이즈 레벨에 노출되면 청력이 손상될 수 있습니다. 상당한 시간 동안 집중적인 노이즈에 노출되면 거의 모든 사람들이 청력을 상실할 수 있습니다.

미국 정부의 산업안전보건관리 Occupational Safety and Health Administration (OSHA)는 다음과 같은 허용 소음 레벨을 지정하였습니다. OSHA에 따르면 위의 허용 한도를 초과하는 노출은 약간의 청력 손실이 발생할 수 있습니다. 이 엠프 시스템을 작동할 때 노출이 위 명시된 한계를 초과하는 경우, 영구적인 청력 손실을 방지하기 위해선 귀를 보호하기 위한 귀마개 등을 착용해야 합니다. 또한 높은 음압의 잠재적인 위험 노출에 대비하기 위해서는 엠프 같은 높은 음압을 낼 수 있는 기기가 작동되는 동안 귀 보호장비가 필요합니다.

하루 평균시간	Sound Level (dBA, slow response)
8	90
6	92
4	95
3	97
2	100
1	102
1/2	105
1/3	110
1/4이하	115



- 제품에 동봉된 'Dangerous Voltage'는 사람에게 전기적 충격의 위험을 경고하기 위한 것입니다.
- 제품에 주요 동작 및 유지 보수(서비스) 내용이 포함된 지침서는 사용자를 위한 것입니다.
- 감전위험- 열지 마십시오. 감전의 위험을 줄이기 위해 커버를 제거하지 마십시오. 자격을 갖춘 엔지니어에게 문의하십시오.
- 감전이나 화재의 위험을 방지하기 위해서 이 제품을 비나 습기에 노출시키지 마십시오. 이 제품을 사용하기 전에 사용설명서를 읽어보시기 바랍니다.

(엠프를 사용하지 않을 때는 항상 스위치를 끄고 전원 코드를 뽑으십시오.)

사용자의 기기가 콤팩트 스타일(기기를 뒤로 기울이는 스타일)의 캐비닛인 경우 이 디자인의 주의사항을 확인하십시오. 팬의 때문에 엠프를 똑바로 세우거나 기울이면 엠프를 평평한 곳에서 사용하십시오. 엠프를 절대 책상이나 테이블 선반 또는 다른 적합한 장소에서 작동하지 마십시오.

## INSTRUÇÕES DE SEGURANÇA

PT

AVISO: Ao usar produtos elétricos, adverte básica devem ser sempre seguidas, incluindo as seguintes:

1. Leia estas instruções.
2. Guarde estas instruções de segurança.
3. Preste atenção a todos os avisos.
4. Siga todas as instruções.
5. Não use este aparelho perto da água.
6. Limpe apenas com um pano seco.
7. Não bloqueie qualquer uma das aberturas de ventilação. Instale de acordo com as instruções do fabricante.
8. Não instale perto de fontes de calor, como radiadores, aquecedores, fogões ou outros aparelhos (incluindo amplificadores) que produzem calor.
9. Um aparelho com a construção de classe I devem ser conectado a uma tomada elétrica com ligação de proteção. Não anule a finalidade de segurança da ficha polarizada ou do tipo terra. Uma ficha polarizada possui duas lâminas, uma mais larga que a outra. Uma ficha do tipo terra tem duas lâminas e um terceiro pino de aterramento. A lâmina larga ou o terceiro pino são fornecidos para sua segurança. Se a ficha fornecida não encaixar na sua tomada, consulte um electricista para a substituição da tomada obsoleta.
10. Proteja o cabo de alimentação de pisadelas ou apertos, especialmente nas fichas, receptáculos de conveniência e no ponto de saída do aparelho.
11. Utilize apenas ligações / acessórios fornecidos pelo fabricante.
12. Use somente com o carrinho, estrutura, tripé, suporte, ou mesa especificados pelo fabricante ou vendidos com o aparelho. Quando utilizar um carrinho, tenha cuidado ao mover o conjunto carrinho / dispositivo para evitar danos provocados pela queda. 13. A ficha da tomada ou aparelho forem utilizados como dispositivo de desconexão e deve estar sempre acessível. O usuário deve permitir o acesso fácil a qualquer ficha, acoplador de alimentação e interruptor de rede usada em conjunto com esta unidade, assim, tornando-o acessível. Desligue o aparelho durante tempestades com raios ou quando não for utilizado por longos períodos de tempo.
14. Solicite a assistência de pessoal qualificado. A manutenção é necessária quando o aparelho tiver sido danificado de qualquer maneira, como quando o cabo de alimentação ou a ficha estiverem danificados, líquido foi derramado ou objetos caídos dentro do aparelho, o aparelho tenha sido exposto à chuva ou umidade, não operar normalmente, ou se tiver caído.
15. Nunca quebre o pino terra. Ligue apenas a uma fonte de energia do tipo marcadas na unidade adjacente ao cabo de fornecimento de energia.
16. Se este produto for para ser montado em um bastidor de equipamentos, o suporte traseiro deve ser fornecido. 17. Nota para o Reino Unido: Se as cores dos fios do cabo de alimentação da unidade não correspondem com os terminais na ficha, faça o seguinte:
  - a) O fio que é colorido verde e amarelo tem de ser ligado ao terminal que está marcada com a letra E, o símbolo de terra, de cor verde ou colorido em verde e amarelo.
  - b) O fio é de cor azul, que tem de ser ligado ao terminal que está marcada com a letra N ou a cor preta.
  - c) O fio que é castanho deve ser ligado ao terminal que está marcada com a letra L ou a cor vermelha. Aparelhos elétricos.
18. This não deve ser exposto a respingos e os cuidados devem ser tomados para não colocar objetos que contenham líquidos, tais como vasos, sobre o aparelho.
19. A exposição a níveis de ruído extremamente alta pode causar uma perda permanente da audição. Os indivíduos variam consideravelmente a susceptibilidade ao ruído induzido perda de audição, mas quase todo mundo vai perder alguma audição se expostos a ruído suficientemente intensa durante um tempo suficiente.

Segurança do Trabalho do governo dos EUA e Administração de Saúde (OSHA) especificou os seguintes exposições de nível de ruído admissíveis: de acordo com OSHA, a exposição em excesso dos limites admissíveis acima poderia resultar em alguma perda de audição. Tampões ou protetores para o canal auditivo ou sobre as orelhas, deve ser usada quando se opera este sistema de amplificação de modo a evitar a perda permanente da audição, se a exposição for superior a dos limites tal como descrito acima. Para garantir contra a exposição potencialmente perigoso para elevados níveis de pressão de som, recomenda-se que todas as pessoas expostas a um equipamento capaz de produzir níveis elevados de pressão sonora, como este sistema de amplificação de ser protegidos por protetores auditivos enquanto esta unidade está em operação.
20. Símbolos e nomenclatura utilizados no produto e nos manuais de produtos, destinados para alertar o operador para as áreas onde o cuidado extra pode ser necessário, são os seguintes:

duración por Día em Horas	DBA Nivel de som, resposta lenta
8	90
6	92
4	95
3	97
2	100
1 1/2	102
1	105
1/2	110
1/3 or less	115



Com a intenção de alertar o utilizador para a presença de "tensão perigosa" alto dentro do recinto produtos que poderá ser suficiente para constituir um risco de choque elétrico para as pessoas.

Com a intenção de alertar o usuário da presença de importantes de operação e manutenção (assistência) na literatura que acompanha o produto.

Risco de choque elétrico - NÃO ABRA. Para reduzir o risco de choque eléctrico, não remover a tampa. Não existem peças no interior. Consulte um técnico qualificado.

Para evitar choque elétrico ou risco de incêndio, não exponha este aparelho à chuva ou umidade. Antes de utilizar este aparelho, leia atentamente as instruções de operação.

Se o seu aparelho possui um mecanismo de inclinação ou um armário estilo propina, por favor, use esse recurso de design com cautela. Devido à facilidade com que o amplificador pode ser movida entre as posições de costas rectas e inclinada, usar apenas o amplificador numa superfície plana estável. NÃO operar o amplificador em uma escrivaninha, mesa, prateleira ou de alguma forma inadequada plataforma listada.

## WICHTIGE SICHERHEITSHINWEISE



ACHTUNG: Beim Einsatz von Elektrogeräten müssen u.a. grundlegende Vorsichtsmaßnahmen befolgt werden:

1. Lesen Sie sich diese Anweisungen durch.
  2. Bewahren Sie diese Anweisungen auf.
  3. Beachten Sie alle Warnungen.
  4. Befolgen Sie alle Anweisungen.
  5. Setzen Sie dieses Gerät nicht in der Nähe von Wasser ein.
  6. Reinigen Sie es nur mit einem trockenen Tuch.
  7. Blockieren Sie keine der Lüftungsöffnungen. Führen Sie die Installation gemäß den Anweisungen des Herstellers durch.
  8. Betreiben Sie das Gerät nicht neben Wärmequellen wie Heizgeräten, Heizgeräten, Ofen oder anderen Geräten (auch Verstärkern), die Wärme erzeugen.
  9. Verwenden Sie nur Kaltgeräte-Netzkaabel aus dem Fachhandel.
  10. Schützen Sie das Netzkabel, sodass niemand darauf tritt oder es geknickt wird, insbesondere an Steckern oder Buchsen am Gerät.
  11. Verwenden Sie nur die vom Hersteller erhältlichen Zubehörgeräte oder Zubehörteile.
  12. Verwenden Sie nur einen Wagen, Stativ, Dreifuß, Träger oder Tisch, der den Angaben des Herstellers entspricht oder zusammen mit dem Gerät verkauft wurde. Wird ein Wagen verwendet, bewegen Sie den Wagen mit dem darauf befindlichen Gerät besonders vorsichtig, damit es nicht umkippt und möglicherweise jemand verletzt wird.
  13. Der Netzstecker bzw. Gerätestecker wird zum Trennen vom Stromnetz verwendet und muß immer leicht zugänglich sein. Der Benutzer sollte auf einfachen Zugang zu allen Netzsteckern, Gerätesteckern und Netz-Schaltern achten
- Ziehen Sie den Netzstecker bei Gewitter heraus oder wenn das Gerät längere Zeit nicht benutzt wird.
14. Lassen Sie sämtliche Wartungsarbeiten von qualifizierten Kundendiensttechnikern durchführen. Eine Wartung ist erforderlich, wenn das Gerät in irgendeiner Art beschädigt wurde, etwa wenn das Netzkabel oder der Netzstecker beschädigt wurden, Flüssigkeit oder Gegenstände in das Gerät gelangt sind, das Gerät Regen oder Feuchtigkeit ausgesetzt wurde, nicht normal arbeitet oder heruntergefallen ist.
  15. Schließen Sie das Gerät nur an eine Stromquelle an, die am Gerät neben dem Netzkabel angegeben ist.

Dauer pro Tag in Stunden	Geräuschpegel dBA	langsame Reaktion
8	90	
6	92	
4	95	
3	97	
2	100	
1 1/2	102	
1	105	
1/2	110	
1/4 oder weniger	115	

16. Wenn dieses Produkt in ein Geräte-Rack eingebaut werden soll, muss eine Versorgung über die Rückseite eingerichtet werden.

18. Dieses Gerät darf nicht ungeschützt Wassertropfen und Wasserspritzern ausgesetzt werden und es muss darauf geachtet werden, dass keine mit Flüssigkeiten gefüllte Gegenstände, wie z. B. Blumenvasen, auf dem Gerät abgestellt werden.

19. Belastung durch extrem hohe Lärmpegel kann zu dauerhaftem Gehörverlust führen. Die Anfälligkeit für durch Lärm bedingten Gehörverlust ist von Mensch zu Mensch verschieden, das Gehör wird jedoch bei jedem in gewissem Maße geschädigt, der über einen bestimmten Zeitraum ausreichend starkem Lärm ausgesetzt ist. Die US-Arbeitschutzbehörde (Occupational and Health Administration, OSHA) hat die folgenden zulässigen Pegel für Lärmbelastung festgelegt:

Laut OSHA kann jede Belastung über den obenstehenden zulässigen Grenzwerten zu einem gewissen Gehörverlust führen. Sollte die Belastung die obenstehenden Grenzwerte übersteigen, müssen beim Betrieb dieses Verstärkungssystems Ohrstöpsel oder Schutzvorrichtungen im Gehörgang oder über den Ohren getragen werden, um einen dauerhaften Gehörverlust zu verhindern. Um sich vor einer möglicherweise gefährlichen Belastung durch hohe Schalldruckpegel zu schützen, wird allen Personen empfohlen, die mit Geräten arbeiten, die wie dieses Verstärkungssystem hohe Schalldruckpegel erzeugen können, beim Betrieb dieses Geräts einen Gehörschutz zu tragen.

20. Symbole und Nomenklatur, die auf dem Produkt und in den Handbüchern stehen, sollen den Bediener auf die Bereiche, in denen besondere Vorsicht notwendig sein kann, alarmieren und sind wie folgt:

Sollen den Benutzer auf das Vorhandensein von "gefährlicher Hoch- Spannung" im Gerätegehäuse hinweisen, um die Gefahr eines elektrischen Schlags für Personen zu vermeiden..

Sollen den Benutzer auf das Vorhandensein wichtiger Betriebs- und Wartungsanweisungen in der beigelegten Dokumentation aufmerksam machen.

Gefahr eines elektrischen Schlags - NICHT ÖFFNEN. Um die Gefahr eines elektrischen Schlags zu reduzieren, darf die Abdeckung entfernt werden. Keine zu wartenden Teile im Inneren. Überlassen Sie die Wartung qualifiziertem Fachpersonal.

Gefahr eines elektrischen Schlags - NICHT ÖFFNEN. Um die Gefahr eines elektrischen Schlags zu vermeiden, darf die Abdeckung nicht geöffnet werden.. Überlassen Sie die Wartung qualifiziertem Fachpersonal.

Wenn Ihr Gerät über einen Kippmechanismus oder eine "Tilt-back"- Funktion verfügt, benutzen Sie diese Funktion mit Vorsicht. Aufgrund der Leichtigkeit, mit der der Verstärker zwischen geraden und schrägen Rücken Positionen bewegt werden kann, verwenden Sie nur den Verstärker auf einer ebenen, stabilen Oberfläche. NICHT den Verstärker auf einem Schreibtisch, Tisch, Regal oder sonst eine ungeeignete nicht stabile Plattform stellen.



## IMPORTANTI ISTRUZIONI DI SICUREZZA



AVVERTENZA: Quando si usano prodotti elettrici, alcune precauzioni dovrebbero essere sempre seguite, tra cui le seguenti:

1. Leggere queste istruzioni.
  2. Conservare queste istruzioni di sicurezza.
  3. Osservare tutte le avvertenze.
  4. Seguire tutte le istruzioni.
  5. Non utilizzare questo apparecchio vicino all'acqua.
  6. Pulire solo con un panno asciutto.
  7. Non ostruire le aperture di ventilazione. Installare in conformità con le istruzioni del produttore.
  8. Non installare vicino a fonti di calore come radiatori, regolatori di calore, stufe o altri apparecchi (inclusi gli amplificatori) che producono calore.
  9. Un apparecchio in Classe I deve essere collegato a una presa di corrente di rete con connessione di protezione. Non annullare l'obiettivo di sicurezza della spina polarizzata o con messa a terra. Una spina polarizzata ha due lame, una più larga dell'altra. Una spina con messa a terra ha due lame e un terzo polo di terra. La lama più larga o il terzo polo servono per la sicurezza. Se la spina fornita non è adatta alla propria presa, consultare un elettricista per la sostituzione della presa obsoleta.
  10. Proteggere il cavo di alimentazione venga calpestato o schiacciato, soprattutto in corrispondenza delle spine, delle prese e al punto in cui esce dall'apparecchio.
  11. Usare solo dispositivi opzionali / accessori forniti dal produttore.
  12. Usare solo con un carrello, supporto, cavalletto, sostegno o tavola specificate dal produttore o venduti con l'apparecchio. Quando si usa un carrello, prestare attenzione, muovendo il carrello / la combinazione di apparecchi, a non ferirsi-over.
  13. La spina dell'alimentazione o apparecchio viene utilizzato come dispositivo di scollegamento e deve restare sempre operativo. L'utente deve consentire un facile accesso a qualsiasi presa di rete, accoppiatore di rete e interruttore di rete utilizzato in combinazione con l'unità rendendo così facilmente accessibile. Scollegare l'apparecchio durante i temporali o se non viene utilizzato per lunghi periodi di tempo.
  14. Per l'assistenza rivolgersi a personale qualificato. L'assistenza è necessaria quando l'apparecchio è stato danneggiato in qualsiasi modo, come ad esempio quando il cavo di alimentazione o la spina sono danneggiati, è stato versato del liquido o degli oggetti sono caduti all'interno, l'apparecchio è stato esposto a pioggia o umidità, non funziona normalmente, o è stato fatto cadere.
  15. Non rompere il pin di terra. Collegare ad una presa di potenza del tipo indicato sull'apparecchio adiacente al cavo di alimentazione.
  16. Se il prodotto deve essere montato in un rack, supporto posteriore dovrebbe essere fornito.
  18. This apparecchio elettrico non deve essere esposto a gocce o schizzi e si deve prestare attenzione a non posizionare oggetti contenenti liquidi, come vasi, sopra l'apparecchio.
  19. L'esposizione a livelli sonori molto elevati può causare la perdita permanente dell'udito. Gli individui La sensibilità al rumore perdita dell'udito causata, ma quasi tutti si perde un po' di danni in caso di esposizione al rumore sufficientemente intenso per un tempo sufficiente.
- Sicurezza sul lavoro del governo degli USA and Health Administration (OSHA) ha elaborato la seguente tabella di tolleranza ai rumori: Secondo l'OSHA, l'esposizione prolungata ai limiti riportati qui a fianco potrebbe causare perdita di udito. Tappi per le orecchie o protezioni per il condotto orecchie o sopra le orecchie devono essere indossati quando si adopera questo sistema di amplificazione, al fine di evitare la perdita permanente dell'udito, se si superano i limiti di cui sopra. Per assicurarsi contro un'esposizione potenzialmente pericolosa ad elevati livelli di pressione sonora, si raccomanda che tutte le persone esposte ad apparecchi in grado di produrre elevati livelli di pressione sonora, come questo sistema di amplificazione essere protetti da dispositivi di protezione dell'udito mentre l'unità è in funzione.
20. Simboli e nomenclatura utilizzati sul prodotto e nei manuali dei prodotti, finalizzate ad avvisare l'operatore di aree in cui cautela possono essere necessari, sono i seguenti:

Duration Per Day in Hours	Sound Level dBA, slow response
8	90
6	92
4	95
3	97
2	100
1 1/2	102
1	105
3/4	110
1/2 or less	115



Scopo di avvisare l'utente della presenza di 'tensioni pericolose' alta all'interno del prodotto che può essere sufficiente per costituire un rischio di scossa elettrica per le persone.

Destinato per avvisare l'utente della presenza di importanti operativi e di manutenzione (assistenza) nella documentazione che accompagna il prodotto.

Rischio di scossa elettrica - **NON APRIRE**. Per ridurre il rischio di scosse elettriche, non rimuovere il coperchio. Non ci sono parti riparabili dall'utente. Per la manutenzione rivolgersi a personale qualificato.

Per evitare scosse elettriche o incendi, non esporre questo apparecchio alla pioggia o all'umidità. Prima di utilizzare questo apparecchio leggere le istruzioni per l'uso.

**(Spegnerne sempre e scollegare il cavo di alimentazione quando l'amplificatore non è in uso)**

Se il vostro apparecchio è dotato di un meccanismo di inclinazione o di un mobile in stile contraccoppo, si prega di utilizzare questa caratteristica di design con cautela. A causa della facilità con cui l'amplificatore può essere spostato tra le posizioni schiena dritta e inclinata, utilizzare solo l'amplificatore su una superficie piana e stabile. **NON** utilizzare l'amplificatore su una scrivania, tavolo, uno scaffale o comunque inadatti piattaforma nonstabile.



# USER MANUAL

MODEL NUMBER:

SERIAL NUMBER:

PLACE OF PURCHASE:

DATE OF PURCHASE:

PLEASE COMPLETE FOR FUTURE REFERENCE

 LANEYAMPLIFICATION

 LANEYAMPLIFICATION

 LANEYAMPS

 LANEYTV

DESIGNED & ENGINEERED IN THE UK BY LANEY

WWW.LANEY.CO.UK

REVISION 1.2